

**100%** Money Back  
**Guarantee**

**Vendor:** NI

**Exam Code:** CLAD

**Exam Name:** Certified LabVIEW Associate Developer  
Examination

**Version:** Demo

### Question No : 1

How do you document a VI so that the description appears in the Show Context Help popup window?

- A. Use the VI Properties Documentation window
- B. Type in the Show Context Help window
- C. Create a free label on the front panel
- D. Edit the LabVIEW help files

**Answer: A**

**Explanation:**

### Question No : 2

Can a wire be used to pass data between loops that are intended to run in parallel?

- A. Yes
- B. No

**Answer: B**

**Explanation:**

### Question No : 3

Which of the following describes a Tab Control?

- A. A control that outputs ASCII values equal to the selected tab label
- B. A type of enumerated control
- C. A control that outputs a cluster of the controls / indicators on the tabs
- D. A control that outputs the tab order of the controls on the front panel

**Answer: B**

**Explanation:**

---

**Question No : 4**

What is an advantage of using a Strictly Typed VI ref num?

- A. The data types of the target VI are known at compile time
- B. The data types passed to the VI can change programmatically
- C. You can flatten the data to a string to improve code performance
- D. Causes dynamically loaded VIs to be loaded at the start of execution

**Answer: A**

**Explanation:**

**Question No : 5**

A coercion dot indicates that:

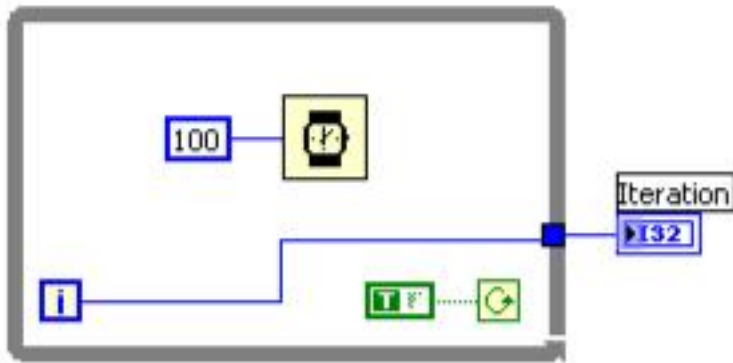
- A. The data types are consistent
- B. Apolymorphic operation will be performed on the data
- C. A data buffer is created to handle data conversion
- D. Data values are being coerced because they are out of range

**Answer: C**

**Explanation:**

**Question No : 6**

Which of the following statements is true about the following block diagram?



- A. The loop will execute once and the iteration terminal, C:\Documents and Settings\RraAsShHildD\Desktop\untitled.JPG, will output a value of one
- B. The loop will execute once and the iteration terminal, C:\Documents and Settings\RraAsShHildD\Desktop\untitled.JPG, will output a value of zero
- C. The loop will execute infinitely and the program will have to be aborted
- D. The loop will not execute and the iteration terminal, C:\Documents and Settings\RraAsShHildD\Desktop\untitled.JPG, will return a null value

**Answer: C**

**Explanation:**

**Question No : 7**

Which of the following can not be used to transfer data?

- A. Semaphores
- B. Queues
- C. Notifiers
- D. Local variables





**Answer: A**

**Explanation:**

**Question No : 8**

---

Which of the following terminals controls how many times a For loop executes?

- A. 
- B. 
- C. 
- D. 

- A. Option A
- B. Option B
- C. Option C
- D. Option D

**Answer: D**

**Explanation:**

**Question No : 9**

You have a control on the front panel of a VI and you need to modify one of its properties at run time. Which of the following is the best approach you would take?

- A. Create an implicit property node and select the property to modify
- B. Create a control reference, pass the reference to a property node and select the property to modify
- C. Create a linked shared variable and select the property to modify the property
- D. Create a local variable and select the property to modify

**Answer: A**

**Explanation:**

**Question No : 10**

---

Formula nodes accept which of the following operations?

- A. Basic programming language instructions Input and Print
- B. Embedding of SubVIs within the Formula Node
- C. Pre and post increment (++) and decrement (--) as in the C language
- D. The use of nested Formula Node structures

**Answer: C**

**Explanation:**

**Question No : 11**

Which of the following is the best method to update an indicator on the front panel?

- A. Use a Value property node
- B. Wire directly to the indicator terminal
- C. Use a local variable
- D. Use a functional global variable

**Answer: B**

**Explanation:**

**Question No : 12**

Which of the following functions assembles Cluster elements by their owned labels?

- A. Unbundle by Name
- B. Unbundle
- C. Bundle by Name
- D. Bundle

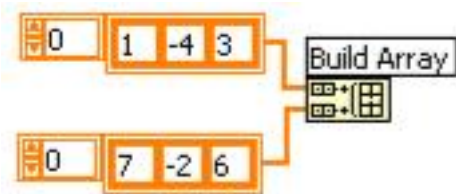
**Answer: C**

**Explanation:**

---

**Question No : 13**

What is the output of the Build Array function in the following block diagram when Concatenate Inputs is selected?



- A. 1-D Array of {1,-4, 3, 7,-2, 6}
- B. b.1-D Array of {1, 7,-4,-2, 3, 6}
- C. c.2-D Array of {{1,-4, 3, 0}, {7,-2, 6}}
- D. d.2-D Array of {{1,-4, 3}, {7,-2, 6}}

**Answer: A**

**Explanation:**

---

**Question No : 14**

What is the output of the Initialize Array function after the following code has executed?

- A. a.1-D Array of {3, 3, 3, 3}
- B. b.1-D Array of {4, 4, 4}
- C. c.1-D Array of {3, 4}
- D. d.1-D Array of {4, 3}

**Answer: A**

**Explanation:**

---

**Question No : 15**

---

What is one disadvantage of using the State Machine VI architecture?

- A. A State Machine can only traverse states in order
- B. If two state changes occur at the same time, only the first state change will be handled and the second will be lost
- C. The diagram becomes significantly larger when changing from a general architecture to a State Machine
- D. State Machines cannot acquire data or use DAQ functions

**Answer: B**

**Explanation:**

**Question No : 16**

What is the best method to stop a While loop on an error condition?

- A. Compare the Status boolean of an error cluster with a constant and wire it to the Stop terminal
- B. Connect the error wire directly to the Stop terminal
- C. Create an Event structure to handle the error event
- D. Use the Error Handler VI to automatically handle the error

**Answer: B**

**Explanation:**

**Question No : 17**

What mechanical action of a Boolean would you use to mimic a button on a Windows dialog?

- A. Switch Until Released
- B. Switch When Released
- C. Latch Until Released
- D. Latch When Released



---

**Answer: D**

**Explanation:**

**Question No : 18**

Which combination of words correctly completes the following statement?

Unlike \_\_\_\_\_, which display an entire waveform that overwrites the data already stored, \_\_\_\_\_ update periodically and maintain a history of the data previously stored.

- A. Graphs;Charts
- B. Charts;Plots
- C. Plots; Graphs
- D. C harts; Graphs

**Answer: A**

**Explanation:**

**Question No : 19**

In what instance would you use the Probe tool rather than Highlight Execution?

- A. To see the flow of data
- B. To see the value of a wire in real-time
- C. To look into a SubVI, as the process is running
- D. To slowdown the Vlandshowdatavalues in wires

**Answer: B**

**Explanation:**

**Question No : 20**

---

You customize a control, select Control from the Type Def. Status pull-down menu, and save the control as a .ctl file. You then use an instance of the custom control on your front panel window. If you open the .ctl file and modify the control, does the control on the front panel window change?

- A. Yes
- B. No

**Answer: B**

**Explanation:**

**Question No : 21**

You develop a SubVI that only outputs a value and need to use this SubVI in a (calling) VI. Which of the following is the best way to enforce dataflow to control the execution of the SubVI?

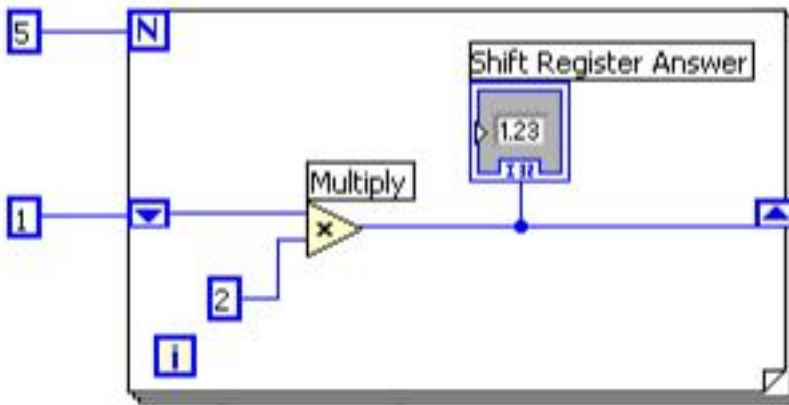
- A. Use the SubVI in a Sequence structure
- B. Modify the SubVI to have dummy inputs that can be used from the calling VI
- C. Modify the SubVI to have Error clustersthat can be used from the calling VI
- D. Modify the SubVI to have a global variable and use it from the calling VI

**Answer: C**

**Explanation:**

**Question No : 22**

What is the value in Shift Register Answer after the following code has executed?



- A. 16
- B. 24
- C. 32
- D. 10

**Answer: C**

**Explanation:**

**Question No : 23**

Which Chart update mode should be used to draw new data from left to right, then clear the chart and draw new data again from left to right?

- A. Strip Chart
- B. Scope Chart
- C. Sweep Chart
- D. Step Chart

**Answer: B**

**Explanation:**

**Question No : 24**

Which of the following illustrates an advantage of a global variable over a local variable?


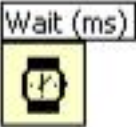
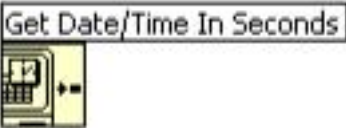
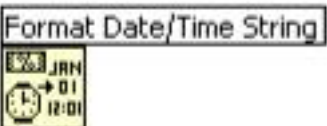
- 
- A. A global variable can pass data between two independent VIs running simultaneously
  - B. Only the global variable can pass array data, local variables cannot
  - C. Global variables follow the dataflow model, and therefore cannot cause race conditions
  - D. Global variables do not require owned labels to operate

**Answer: A**

**Explanation:**

**Question No : 25**

Which timing function (VI) is the best choice for timing control logic in applications that run for extended periods of time?

- A.  Tick Count (ms)
- B.  Wait (ms)
- C.  Get Date/Time In Seconds
- D.  Format Date/Time String

- A. Option A
- B. Option B
- C. Option C
- D. Option D

**Answer: C**

**Explanation:**

**Question No : 26**

Under which of the following conditions does a For loop stop executing?

- A. When a false value is present at the conditional terminal and the conditional terminal is C:\Documents and Settings\RraAsShHildD\Desktop\untitled.JPG
- B. When the value of the iteration terminal, C:\Documents and Settings\RraAsShHildD\Desktop\untitled.JPG, is one less than the value of the count terminal, C:\Documents and Settings\RraAsShHildD\Desktop\untitled.JPG
- C. When the value of the iteration terminal, C:\Documents and Settings\RraAsShHildD\Desktop\untitled.JPG, is one more than the value of the count terminal, C:\Documents and Settings\RraAsShHildD\Desktop\untitled.JPG
- D. None of the above

**Answer: B**

**Explanation:**

**Question No : 27**

You are inputting data that represents a circle. The circle data includes an x position, a y position, and a radius. All three pieces of data are double-precision. In the future, you might need to store the color of the circle, represented as an integer. How should you represent the circle on your front panel window?

- A. Three separate controls for the two positions and the radius.
- B. A cluster containing all of the data.
- C. A type definition containing a cluster.
- D. An array with three elements.

**Answer: C**

**Explanation:**

**Question No : 28**

Which of the following will cause an event to be captured by the LabVIEW Event Structure?

- 
- A. Changing a value on a Front Panel control via a mouse click
  - B. Update of a Front Panel control using a property node
  - C. Programmatic update of a Front Panel control via a control reference
  - D. Using VI Server to update a Front Panel control

**Answer: A**

**Explanation:**

**Question No : 29**

Which of the following does not conform to data flow programming paradigm?

- A. Shift Registers
- B. Tunnels
- C. SubVIs
- D. Local Variables

**Answer: D**

**Explanation:**

**Question No : 30**

You must store data that other engineers must analyze with Microsoft Excel. Which file storage format should you use?

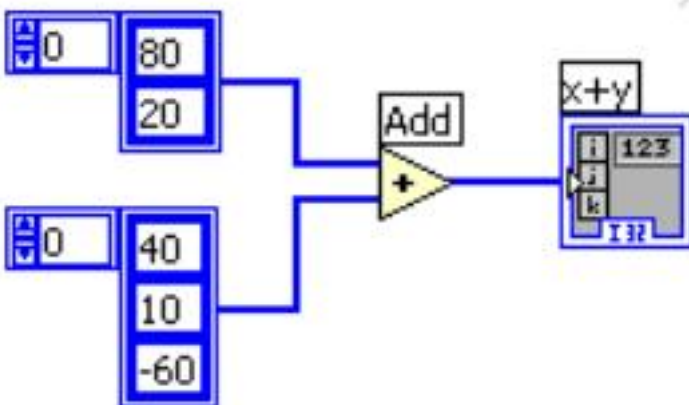
- A. Tab-delimited ASCII
- B. Custom binary format
- C. TDM
- D. Datalog

**Answer: A**

**Explanation:**

**Question No : 31**

What is the result of the following Array addition?



- A. a.1-D Array of {80, 20, 40, 10,-60}
- B. b.1-D Array of {120, 30,-60}
- C. c.1-D Array of {120, 30}
- D. d.2-D Array of {{120, 90, 20}, {60, 30,-40}}

**Answer: C**

**Explanation:**

**Question No : 32**

Which of the following statements is false?

- A. A SubVI connector pane defines where to wire inputs and outputs
- B. The color of a SubVI connector pane terminal matches the data type it is connected to
- C. You must have an icon/connector to use a SubVI
- D. A SubVI icon can be edited from the functions palette

**Answer: D**

**Explanation:**

**Question No : 33**

The most efficient method for creating an array is:

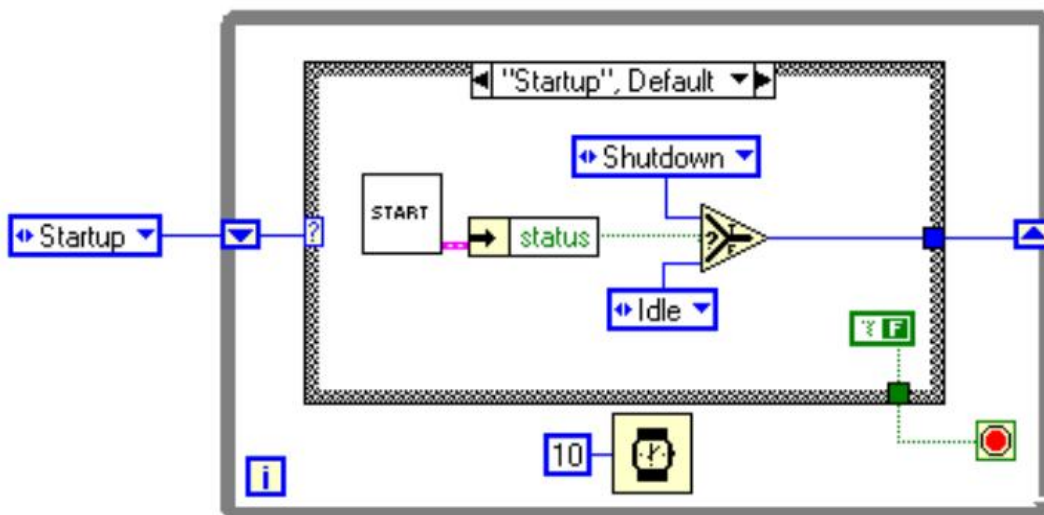
- A. Using a Forloop with Auto-indexing
- B. Placing a build array function in a Whileloop
- C. Initializing an array and then replacing elements in a Whileloop
- D. Using a Whileloopwith Auto-Indexing

**Answer: A**

**Explanation:**

**Question No : 34**

The following block diagram represents which common type of VI architecture?



- A. Multiple Case Structure VI
- B. General VI
- C. State Machine VI
- D. Parallel Loop VI

**Answer: C**

**Explanation:**

**Question No : 35**



---

Which of the following statements is true about the iteration terminal



?

- A. It returns the number of times the loop has executed
- B. It returns the number of times the loop has executed, plus one
- C. It returns the number of times the loop has executed, minus one
- D. It returns a constant number

**Answer: C**

**Explanation:**

**Question No : 36**

For implementing state diagrams that allow future application scalability, the best choice for a base structure is?

- A. Sequence structure
- B. Case structure
- C. Formula node
- D. Object-Oriented structure

**Answer: B**

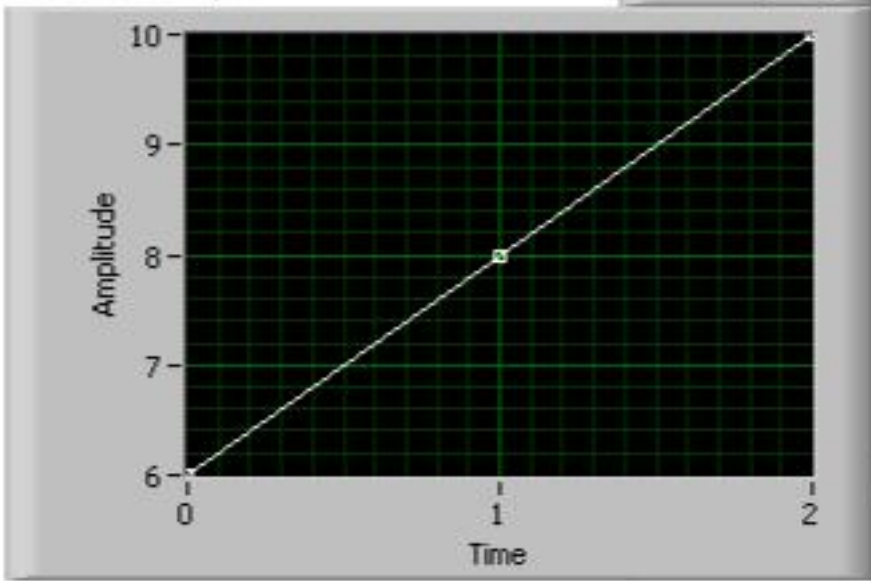
**Explanation:**

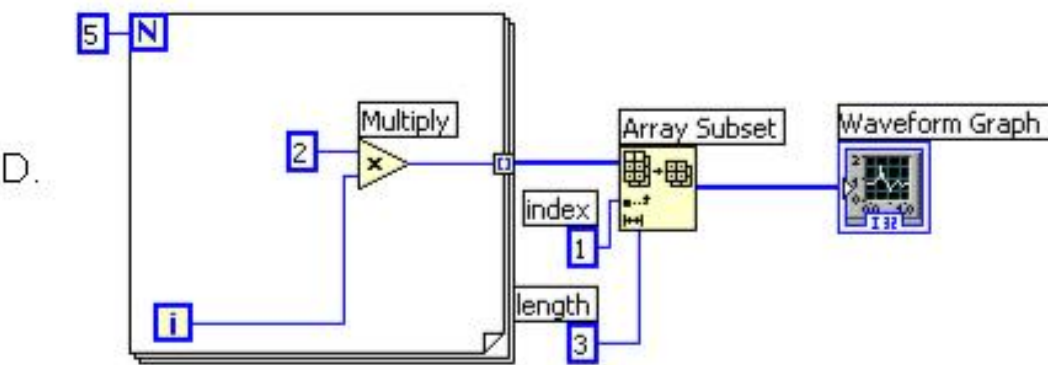
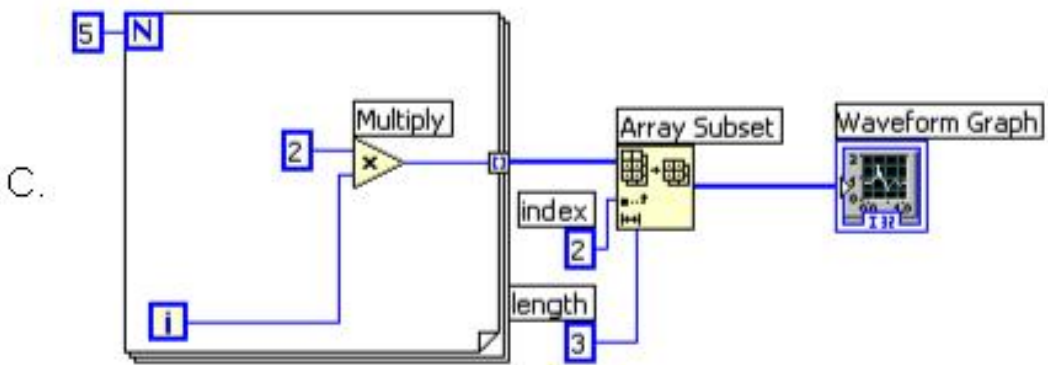
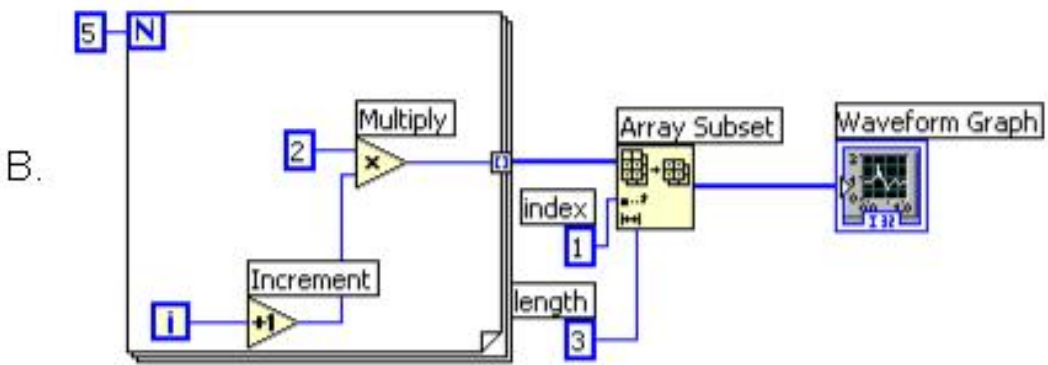
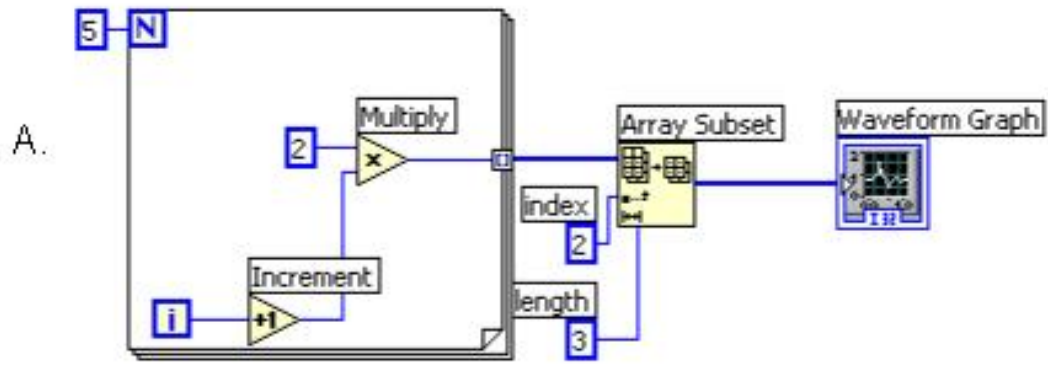
**Question No : 37**

Which of the following Block Diagrams could produce this result in Waveform Graph?

Waveform Graph

Plot 0





- A. Option A
- B. Option B
- C. Option C
- D. Option D

---

**Answer: A**

**Explanation:**

**Question No : 38**

If an input name on the Show Context Help window is in bold for a SubVI, which of the following conditions are true? (Choose all apply)

- A. Input values must be scalar.
- B. An input is recommended, but not required.
- C. An input is required.
- D. A broken run arrow will result unless the input is wired.

**Answer: C,D**

**Explanation:**

**Question No : 39**

Which of the following apply to Property Nodes? (Choose all apply)

- A. Property Nodes allow attributes of front panel objects to be programmatically manipulated.
- B. Property Nodes can be used to update the values contained in a front panel object.
- C. More than one Property Node can be used for a single front panel object.
- D. Property Nodes contained in a SubVI will always cause the front panel to be loaded in memory.

**Answer: A,B,C,D**

**Explanation:**

**Question No : 40**

---

Which VI memory components are ALWAYS S resident for a SubVI? (Choose all apply)

- A. Data Space
- B. Front Panel
- C. Block Diagram
- D. Code

**Answer: A,D**

**Explanation:**

**Question No : 41**

Which of the following statements regarding Array constants are NOT true?

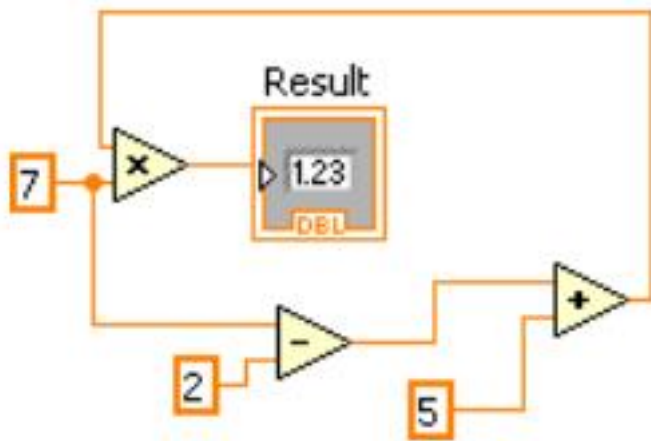
- A. When you create an Array constant on the block diagram, it is not visible on the Front Panel.
- B. You cannot resize an Array constant to include more than one element.
- C. You can copy or drag an existing Array on the Front Panel to the Block Diagram to create a constant of the same data type.
- D. All array operations can be performed on an Array constant

**Answer: B**

**Explanation:**

**Question No : 42**

In the figure below, what will Result equal when this calculation is executed?



- A. 55
- B. 70
- C. 65
- D. Indeterminate

**Answer: B**

**Explanation:**

**Question No : 43**

The function of a Cluster is to:

- A. Allow grouping of mixed data types into logical structures.
- B. Present data on the Front Panel using charts or graphs.
- C. Provide a means of differentiating between data types on the Block Diagram.
- D. Separate data objects by data type on the Front Panel.

**Answer: A**

**Explanation:**

To Read the [Whole Q&As](#), please purchase the [Complete Version](#) from [Our website](#).

# Trying our product !

- ★ **100%** Guaranteed Success
- ★ **100%** Money Back Guarantee
- ★ **365 Days** Free Update
- ★ **Instant Download** After Purchase
- ★ **24x7** Customer Support
- ★ Average **99.9%** Success Rate
- ★ More than **69,000** Satisfied Customers Worldwide
- ★ Multi-Platform capabilities - **Windows, Mac, Android, iPhone, iPod, iPad, Kindle**

## Need Help

Please provide as much detail as possible so we can best assist you.

To update a previously submitted ticket:



 <b>One Year Free Update</b> <p>Free update is available within One Year after your purchase. After One Year, you will get 50% discounts for updating. And we are proud to boast a 24/7 efficient Customer Support system via Email.</p>	 <b>Money Back Guarantee</b> <p>To ensure that you are spending on quality products, we provide 100% money back guarantee for 30 days from the date of purchase.</p>	 <b>Security &amp; Privacy</b> <p>We respect customer privacy. We use McAfee's security service to provide you with utmost security for your personal information &amp; peace of mind.</p>
---	---	--

[Guarantee & Policy](#) | [Privacy & Policy](#) | [Terms & Conditions](#)

Any charges made through this site will appear as Global Simulators Limited.

All trademarks are the property of their respective owners.

Copyright © 2004-2015, All Rights Reserved.