

300-615^{Q&As}

Troubleshooting Cisco Data Center Infrastructure (DCIT)

Pass Cisco 300-615 Exam with 100% Guarantee

Free Download Real Questions & Answers **PDF** and **VCE** file from:

<https://www.certbus.com/300-615.html>

100% Passing Guarantee
100% Money Back Assurance

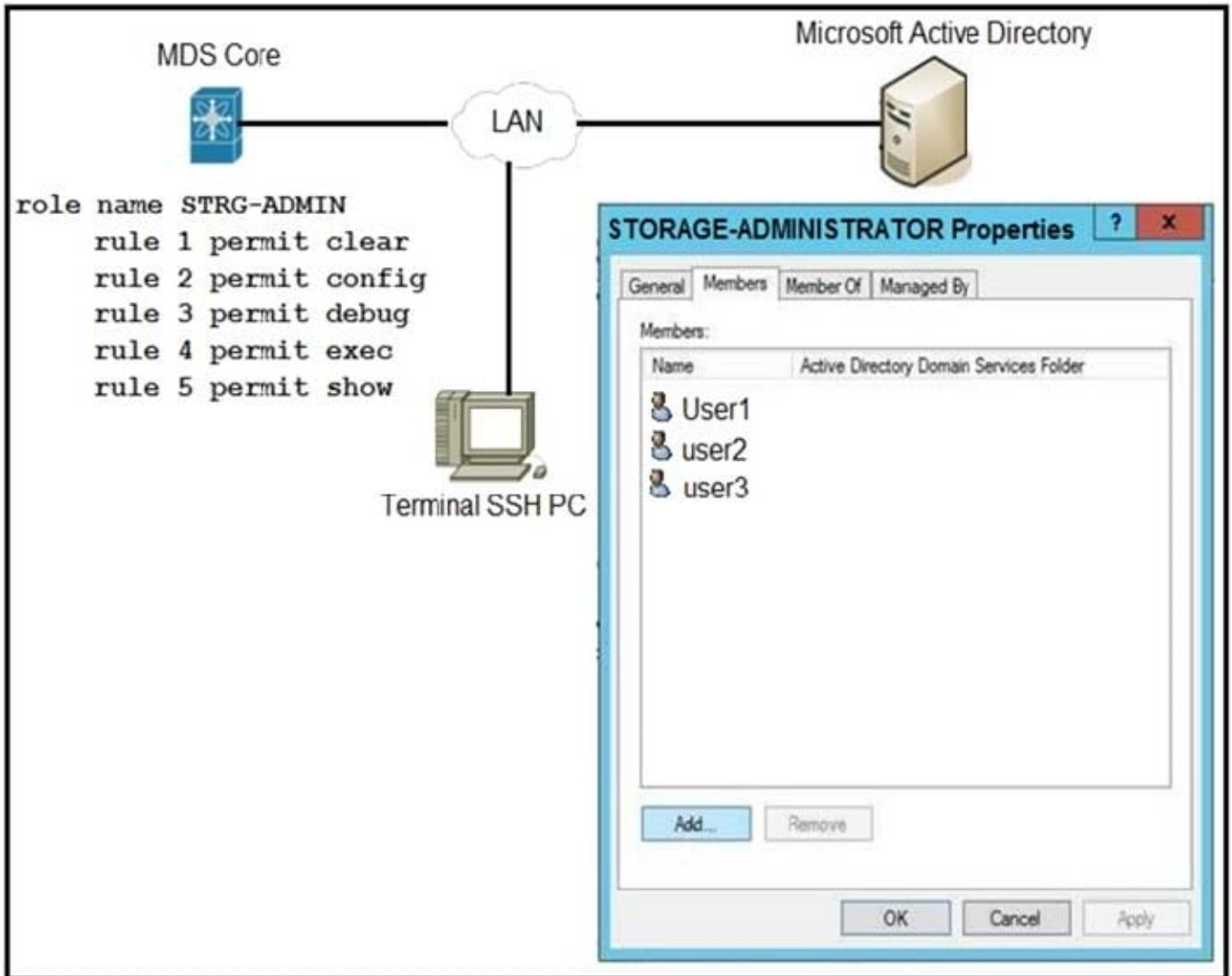
Following Questions and Answers are all new published by Cisco
Official Exam Center

-  **Instant Download** After Purchase
-  **100% Money Back** Guarantee
-  **365 Days** Free Update
-  **800,000+** Satisfied Customers



QUESTION 1

Refer to the exhibit.



An engineer is troubleshooting why user1, user2, and user3 from group STORAGE-ADMINISTRATOR in Microsoft Active Directory cannot log in to the Cisco MDS SSH CLI. Which action resolves the issue?

- A. Configure the role name to match the group name on Microsoft Active Directory.
- B. Include specific users into MDS role configuration.
- C. Configure SSH logins on Cisco MDS switch.
- D. Integrate Cisco MDS with Microsoft Active Directory.

Correct Answer: A

QUESTION 2

Refer to the exhibit.

```
Sw1(config) # sh ip mroute
IP Multicast Routing Table for VRF "default"

(*, 239.0.23.89/32), uptime: 6w2d, ip pim nve
  Incoming interface: Ethernet2/2, RPF nbr: 192.168.21.1
  Outgoing interface list: (count: 1)
    nve1, uptime: 2d01h, nve

(9.9.3.12/32, 239.0.23.89/32),uptime: 6w2d, mrib ip pim nve
  Incoming interface: loopback1, RPF nbr: 9.9.3.12
  Outgoing interface list: (count: 1)
    Ethernet2/2, uptime: 18:58:44, pim

Sw2# sh ip mroute
IP Multicast Routing Table for VRF "default"

(*, 239.0.23.89/32), uptime: 24w3d, ip pim nve
  Incoming interface: Ethernet2/2, RPF nbr: 192.168.22.1
  Outgoing interface list: (count: 1)
    nve1, uptime: 19w1d, nve

(9.9.3.12/32, 239.0.23.89/32),uptime: 24w3d, mrib ip pim nve
  Incoming interface: loopback1, RPF nbr: 9.9.3.12
  Outgoing interface list: (count: 0)
```

Sw1 and Sw2 are two Cisco Nexus 9000 Series Switches that run Cisco NX-OS. They are VTEPs in the same vPC domain. Which statement describes what happens in this scenario?

- A. Sw1 drops all traffic because there is no (S, G) OIF list to encapsulate VXLAN multicast packets and send them out to the underlay network through the uplink interfaces.
- B. Sw1 performs the VXLAN multicast encapsulation and decapsulation for all traffic associated with the VXLAN VNIs.
- C. Sw1 and switch 2 perform the VXLAN multicast encapsulation and decapsulation for all traffic associated with the VXLAN VNIs, depending on the hashing.
- D. Sw2 did not send an IP PIM register to the rendezvous point for the multicast group of the VXLAN VNI.

Correct Answer: B

QUESTION 3

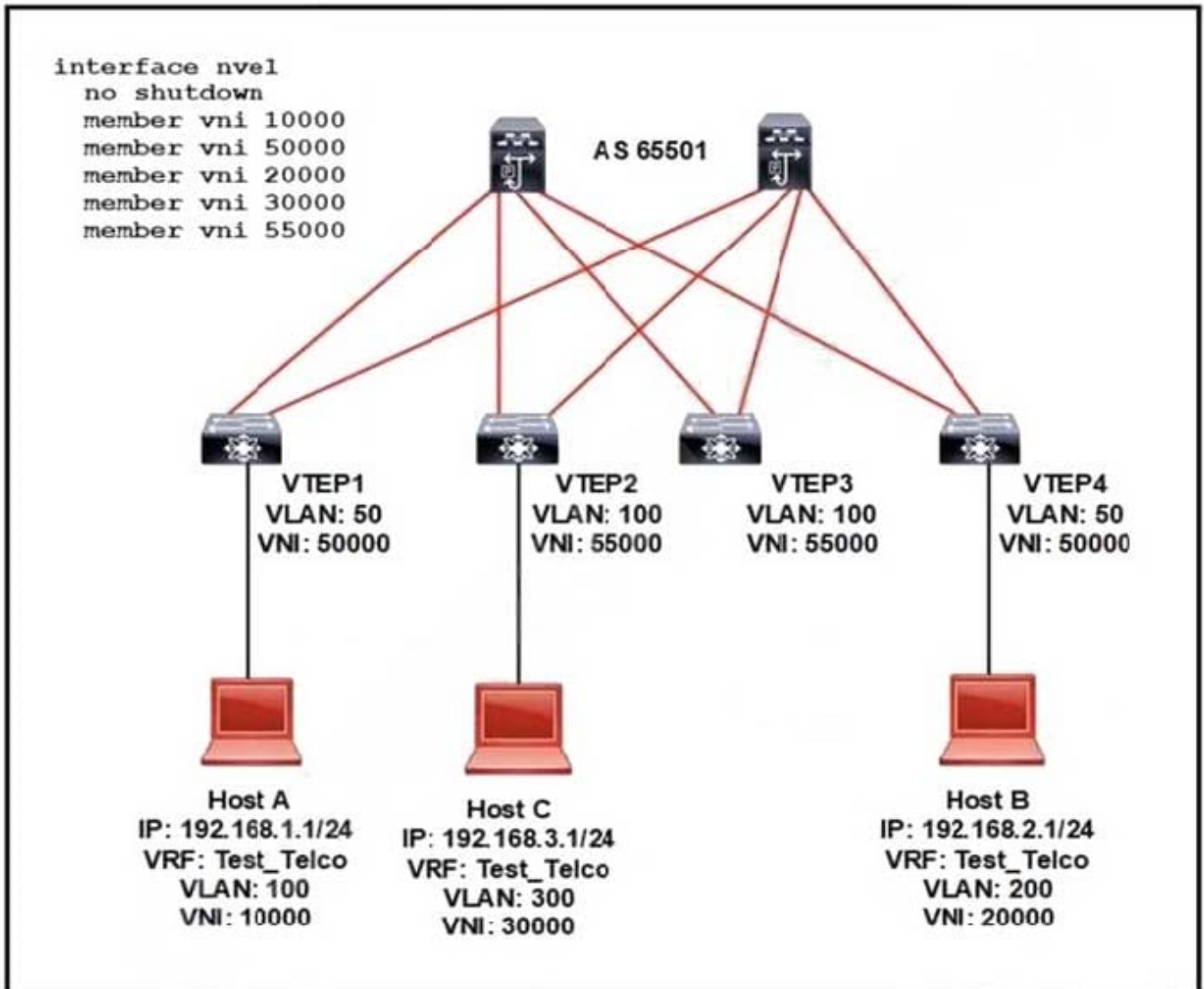
An engineer upgrades Cisco UCS firmware from release 3.1(2) to release 3.1(3) using AutoInstall. Both fabric interconnects go offline during the software upgrade installation and issue multiple FSM retries in the DeployPollActivate stage. Which set of actions resolves the issue?

- A. Clear the startup version of the default infrastructure and server pack. Remove the service pack from the subordinate node. Upgrade with the Force attribute through AutoInstall.
- B. Enable the management interface monitoring policy on the fabric interconnects. Initiate a configuration backup on both fabric interconnects. Commit the pending fabric interconnect reboot activity.
- C. Fix the rights to 666 with the debug plugin on the primary fabric interconnect. Save the current configuration on the running fabric interconnect. Continue the upgrade on both fabric interconnects.
- D. Acknowledge the error and reboot the primary fabric interconnect. Clear the default firmware version and upload a new one. Restart the upgrade process manually.

Correct Answer: A

QUESTION 4

Refer to the exhibit.



The VXLAN fabric is deployed with this configuration:

1.
The VLAN 50 interface has no IP address on VTEP1 and VTEP4
 2.
The VLAN 100 interface has no IP address on VTEP2 and VTEP3
 3.
The nve1 interface is configured on all VTEPs
- Host A experiences timeouts when attempting to ping host B. Which set of actions allows host A to reach host B?
- A. On VTEP1, associate VNI 50000 to Test_Telco VRF On VTEP4, associate VNI 50000 to Test_Telco VRF
- B. On VTEP2, associate VNI 30000 to Test_Telco VRF On VTEP4, associate VNI 20000 to Test_Telco VRF

C. On VTEP1, associate VNI 30000 to Test_Telco VRF On VTEP4, associate VNI 20000 to Test Telco VRF

D. On VTEP2, associate VNI 55000 to Test_Telco VRF On VTEP4, associate VNI 50000 to Test_Telco VRF

Correct Answer: A

QUESTION 5

Refer to the exhibit.

Properties

Name : **hba1**
 WWPN : **20:00:00:25:B5:00:00:01**
 WWPN Pool :
 WWPN Pool Instance :
 Fabric ID : **A B**
 VSAN : default
 Operational VSAN Name : **default**
 Owner : **Logical**
 Type : **Fc**

Boot Order

+ - Advanced Filter Export Print

Name	Order	vNIC	Type	WWN	LUN
San					
SAN Primary		vhba1	Primary		
SAN Target Primary			Primary	21 00 16 55 FF 01 AB CD	4
SAN Secondary		vhba2	Secondary		
SAN Target Primary			Primary	20 00 16 55 FF 01 AB CD	5

Properties

Name : **SANboot**
 Description :
 Owner : **Local**
 Reboot on Boot Order Change :
 Enforce vNIC/vHBA/iSCSI Name :
 Boot Mode : **Legacy Uefi**

The Cisco UCS blade server fails to boot from SAN. Which action resolves the issue?

- A. Change the HBA name to vhba1.
- B. Change the VSAN attribute to 1.
- C. Add a secondary SAN boot target.

D. Set the boot LUN to 0.

Correct Answer: B

QUESTION 6

Which action do you take to recover a Cisco UCS Director password?

A. Use SSH to log in to the device, and then reset the password.

B. Mount the Cisco UCS Director image on a KVM, reload the device, and then reset the password.

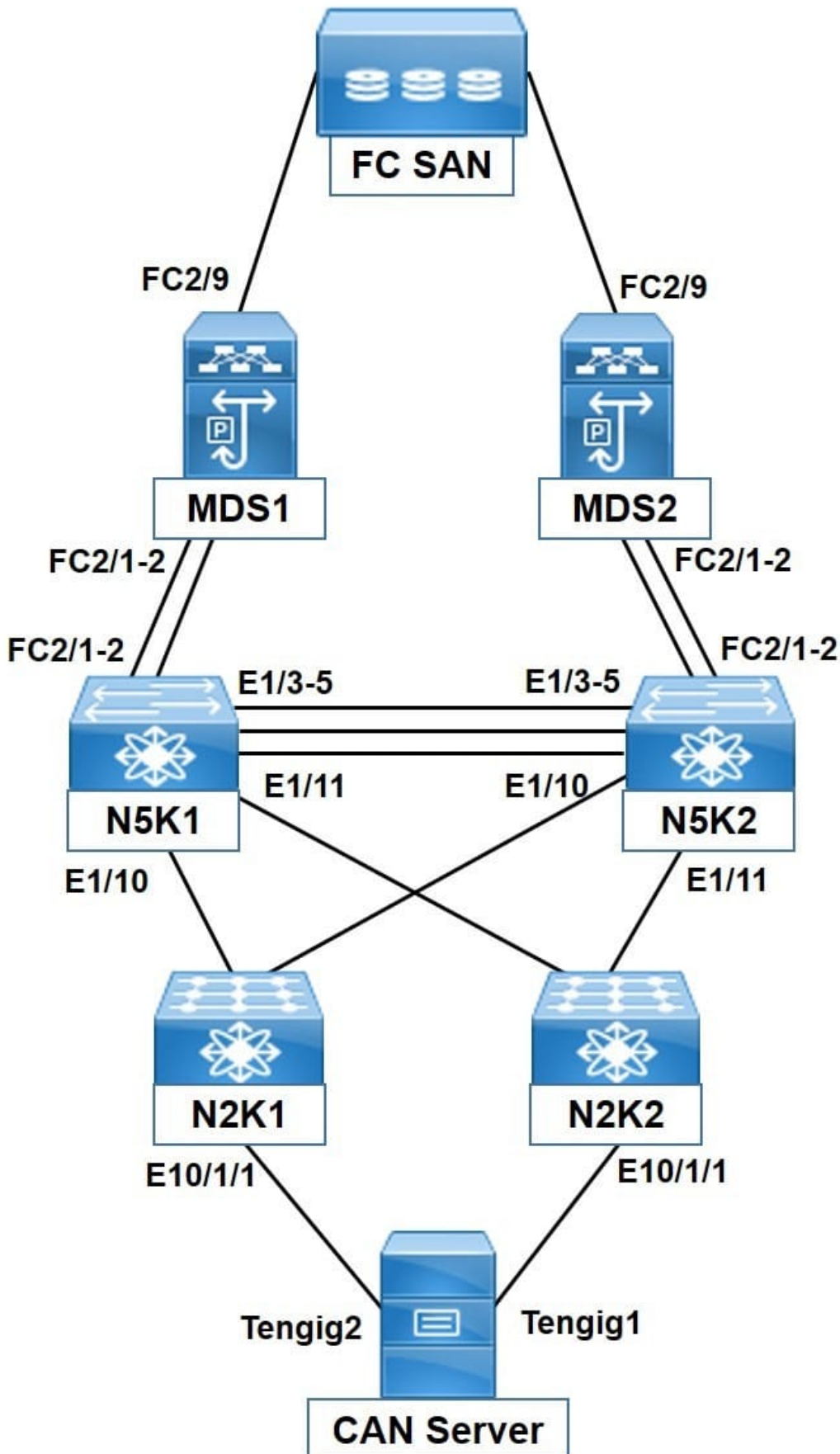
C. Log into the Cisco UCS Director appliance as root, and then run the admin password reset script.

D. Press CTRL-Break when the system boots, and then configure the config-register command to ignore the current configuration.

Correct Answer: C

QUESTION 7

Refer to the exhibits.



N5K1 Config

```
feature fex
feature fcoe
vlan 10
vlan 1101
fcoe vsan 101
vsan database
vsan 101
interface fc2/1-2
switchport speed 2000
switchport mode E
switchport trunk
allowed vsan 101
no shutdown
!
interface Ethernet1/10
switchport mode fex-fabric
fex associate 101

interface Ethernet10/1/1
switchport mode trunk
switchport trunk native vlan 100
switchport trunk allowed vlan 1101
spanning-tree port type edge trunk
no shutdown
!
interface vfc111
bind interface Ethernet10/1/1
switchport trunk allowed vsan 101
no shutdown
!
vsan database
vsan 101 interface vfc111
!
zone default-zone permit vsan 101
```

An engineer troubleshoots switch N5K1, which fails to receive traffic from the file server. Which set of actions resolves this problem?

- A. Bind native VLAN 10 with Ethernet1/10 and allow VSAN 101 in trunk configuration.
- B. Assign native VLAN 10 with vfc111 and allow VLAN 1101 in trunk configuration.
- C. Bind native VLAN 10 with Ethernet10/1/1 and allow VLAN 10 in trunk configuration.
- D. Assign native VLAN 10 with fc2/1-2 and allow VLAN 10 in trunk configuration.

Correct Answer: A

QUESTION 8

Refer to the exhibit.

```
switch# configure terminal
switch(config)# scheduler job name backup-cfg
switch(config-job)# cli var name timestamp $(TIMESTAMP) ;copy running-
config bootflash:/${SWITCHNAME}-cfg.${timestamp} ;copy
bootflash:/${SWITCHNAME}-cfg.${timestamp} tftp://10.10.10.5/ vrf management
switch(config-job)# end
switch(config)#

switch# configure terminal
switch(config)# scheduler schedule name daily
switch(config-if)# job name backup-cfg
switch(config-if)# end
switch(config)#
```

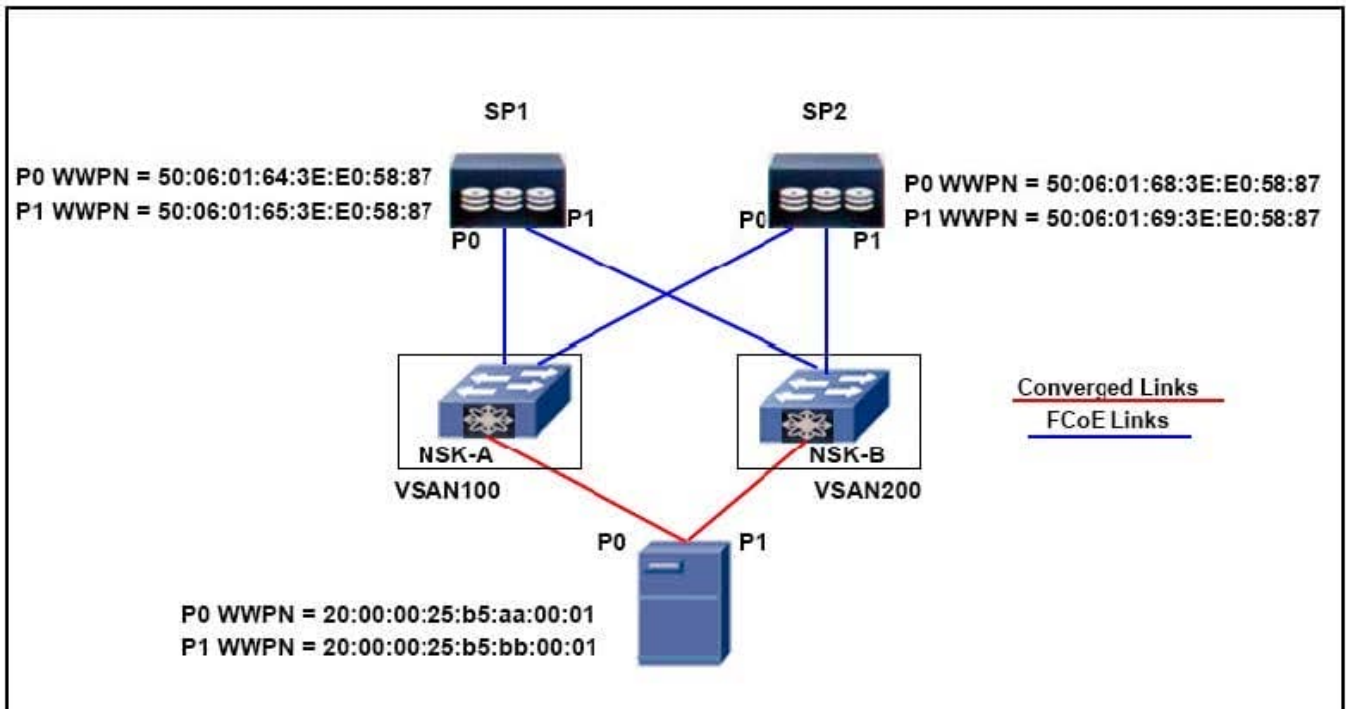
The job fails to run. Which action resolves the issue?

- A. Configure an NTP server
- B. Add a start time to the script
- C. Renew the feature license
- D. Enable the feature required

Correct Answer: B

QUESTION 9

DRAG DROP Refer to the exhibit.



```
!!!! VSAN100-ZONING
zone name host1_hba0- SP1 vsan 100
  member pwn 20:00:00:25:b5:aa:00:01

zone name host1_hba0_SP2 vsan 100
  member pwn 50:06:01:68:3E:E0:E0:58:87

!!!! VSAN200-ZONING
zone name host1_hba1- SP1 vsan 200
  member pwn 50:06:01:65:3E:E0:58:87

zone name host1_hba1_SP2 vsan 200
  member pwn 20:00:00:25:b5:bb:00:01
```

Name	vNIC/v...	Type	WWN	LUN N...
SAN Primary	hba0	Primary		
San Target Primary		Primary	50:06:01:64:3E:E0:58:87	0
SAN Target Secondary		Secondary	50:06:01:64:3E:E0:58:87	0
SAN Secondary	hba1	Secondary		
San Target Primary		Primary	50:06:01:68:3E:E0:58:87	0
SAN Target Secondary		Secondary	50:06:01:69:3E:E0:58:87	0

Move Up Move Down Delete

Boot from SAN fails. The host fails to detect the LUNs. You must resolve the issue. Drag and drop the WWPNs on the left to the correct zones on the right.

Select and Place:

50:06:01:69:3E:E0:58:87	host1_hb0_SP1 vsan 100
20:00:00:25:b5:aa:00:01	host1_hba1_SP1 vsan 200
50:06:01:64:3E:E0:58:87	host1_hba0_SP2 vsan 100
20:00:00:25:b5:bb:00:01	host1_hba1_SP2 vsan 200

Correct Answer:

	50:06:01:64:3E:E0:58:87
	20:00:00:25:b5:aa:00:01
	20:00:00:25:b5:bb:00:01
	50:06:01:69:3E:E0:58:87

QUESTION 10

A network administrator adds several Cisco UCS C-Series servers to the existing Cisco UCS environment. Some of the servers fail to be discovered in Cisco UCS Manager. Which two actions resolve the issue? (Choose two.)

- A. Enable fabric interconnect ports as appliance ports.
- B. Place the VIC card in the correct PCIe slot.
- C. Update the FEX software version.
- D. Remove custom configurations from Cisco IMC.
- E. Update the RAID software controller.

Correct Answer: CD

QUESTION 11

What does this adapter output indicate? adapter 1/6/1 (fls): 2# lunlist 9 vnic: 9 lifid: 6

-FLOGI State : flogi est (fc_id Oxac0e04)

-PLOGI Sessions

-WWNN 50:0a:09:83:8d:53:43:44 WWPN 50:0a:09:83:8d:53:43:44 fc_id 0x000000

-LUN's configured (SCSI Type, Version, Vendor, Serial No.)

-LUN ID: Ox0000000000000000 access failure -REPORT LUNs Query Response

-

Nameserver Query Response -WWPN: 54:b1:6a:94:64:3e:73:44

A.

The configured initiator LUN ID does not match the configured target LUN ID

B.

The target device configuration does not allow the initiator to access the LUN

C.

The port types between the target and initiator are incorrectly configured

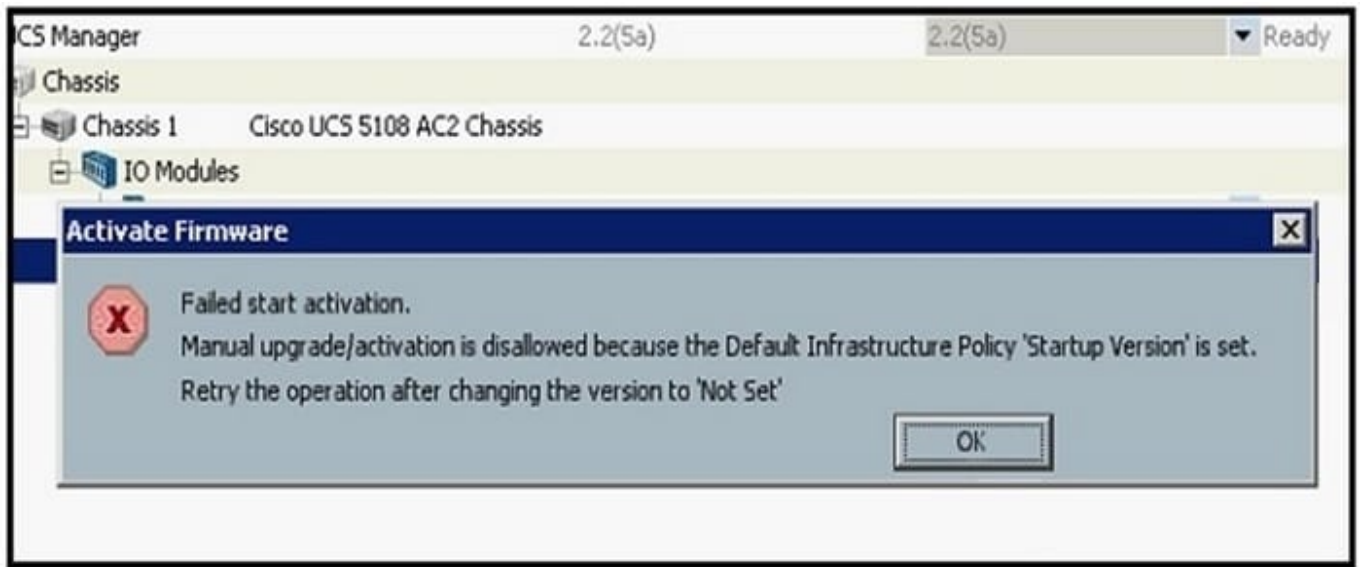
D.

The target of the configured zone does not match the target of the configured boot order

Correct Answer: D

QUESTION 12

Refer to the exhibit.



Cisco UCS Manager is being upgraded using the Auto Install feature, but the FSM fails. Which action resolves the issue?

- A. Acknowledge the primary fabric interconnect.
- B. Remove the service pack from the subordinate fabric interconnect.
- C. Clear the startup version of the default infrastructure pack.
- D. Upgrade the firmware of the infrastructure firmware by using the force option.

Correct Answer: C

QUESTION 13

An engineer must replace a failed memory on a Cisco UCS B-Series Blade Server. After the replacement was done, the server has a "resolve slot" warning. Which server maintenance action resolves the issue?

- A. Perform diagnostic interrupt on the server.
- B. Re-acknowledgement the server.
- C. Reset the server.
- D. Decommission the server.

Correct Answer: B

QUESTION 14

You plan to use OSPFv2 on several Cisco Nexus 9000 Series Switches. Which setting must match on the neighboring switches to establish adjacency?

- A. the LSA arrival time
- B. the dead interval
- C. the last flood scan time
- D. the retransmit interval

Correct Answer: B

QUESTION 15

DRAG DROP

Drag and drop the actions from the left onto the faults that they resolve on the right. Not all options are used.

Select and Place:

Add a block of WWNs.	fitComputePoolEmpty
Add a block of suffixes.	fitFcpoolInitiatorsEmpty
Reacknowledge the server.	fitpoolPoolEmpty
Add a block of Layer 2 addresses.	fitMacpoolPoolEmpty
Add a block of Layer 3 addresses.	fitUuidpoolPoolEmpty
Add a block of ext-mgmt addresses.	

Correct Answer:

Reacknowledge the server.

Add a block of WWNs.

Add a block of Layer 3 addresses.

Add a block of Layer 2 addresses.

Add a block of suffixes.

Add a block of ext-mgmt addresses.