

# 100% Money Back Guarantee

**Vendor:** Oracle

**Exam Code:** 1z0-850

**Exam Name:** Java Standard Edition 5 and 6, Certified Associate Exam

**Version:** Demo

**QUESTION 1**

Which two are true? (Choose two.)

- A. J2EE runs on consumer and embedded devices.
- B. J2EE includes the MIDP API.
- C. J2EE includes servlet APIs and EJB APIs.
- D. J2EE application developers need J2SE.
- E. J2EE applications depend on web servers.

**Correct Answer:** CD

**QUESTION 2**

Which two are associated with the web tier in a J2EE web-based application? (Choose two.)

- A. servlets
- B. JAX-RPC
- C. JMS
- D. entity beans
- E. JSP

**Correct Answer:** AE

**QUESTION 3**

Given:

```
1. class Test {  
2. public static void main(String args[]) {  
3. int num1 = 10, num2 = 20, result;  
4. result = calc(num1, num2);  
5. System.out.println(result);  
6. }  
7.  
8. // insert code here  
9. }
```

Which, inserted at line 8, produces the output 30?

- A. static int calc(int n1, int n2) { return; }
- B. public int calc(int n1, int n2) { return n1 + n2; }
- C. public int calc(int n1, int n2) { return; }
- D. static int calc(int n1, int n2) { return n1 + n2; }
- E. static void calc(n1, n2) { return (n1 + n2); }
- F. static int calc(int n1, n2) { return n1, n2; };

**Correct Answer:** D

**QUESTION 4**

Given:

```
1. public abstract class Wow {  
2. private int wow;  
3. public Wow(int wow) {  
4. this.wow = wow;  
5. }  
6. public void wow() { }  
7. private void wowza() { }  
8. }
```

Which is true about the class Wow?

- A. It does NOT compile because an abstract class must have at least one abstract method.
- B. It does NOT compile because an abstract class CANNOT have instance variables.
- C. It compiles without error.
- D. It does NOT compile because an abstract class CANNOT have private methods.
- E. It does NOT compile because an abstract class must have a constructor with no arguments.

**Correct Answer: C**

#### QUESTION 5

Given:

```
1. class X {  
2. private Y y;  
3. public X(Y y) { this.y = y; }  
4. }  
5. class Y {  
6. private X x;  
7. public Y() { }  
8. public Y(X x) { this.x = x; }  
9. }
```

The instance variable y is intended to represent the composition relationship "X is composed of Y."

Which code correctly maintains this meaning?

- A. X x1 = new X(new Y());X x2 = new X(new Y());
- B. X xx = new X(null);Y y1 = new Y(xx);Y y2 = new Y(xx);
- C. Y yy = new Y();X x1 = new X(yy);X x2 = new X(yy);
- D. Y y1 = new Y(new X(null));Y y2 = new Y(new X(null));

**Correct Answer: A**

#### QUESTION 6

Which type of J2EE component is used to store business data persistently?

- A. stateless session beans
- B. JavaBeans
- C. stateful session beans
- D. entity beans
- E. JavaServer Pages

**Correct Answer: D**

#### QUESTION 7

What is the purpose of JNDI?

- A. to access native code from a Java application
- B. to parse XML documents
- C. to access various directory services using a single interface
- D. to register Java Web Start applications with a web server

**Correct Answer: C**

#### QUESTION 8

Which two are true about HTML? (Choose two.)

- A. HTML can set up hypertext links between documents.
- B. HTML uses tags to structure text into headings, paragraphs, and lists.
- C. HTML is an object-oriented programming language.
- D. HTML documents CANNOT be browsed by a text editor.

**Correct Answer:** AB

#### QUESTION 9

Given:

```
4. class Example {
5. int x = 50;
6. int y = 100;
7. public static void main(String args[]) {
8. int x = 0, y = 10;
9. Example ex = new Example();
10. while (x < 3) {
11. x++; y--;
12. }
13. System.out.println("x = " + x + " , y = " + y);
14. }
15. }
```

What is the result?

- A. Compilation fails because of an error at line 8.
- B. x = 3 , y = 7
- C. Compilation fails because of an error at line 11.
- D. Compilation fails because of an error at line 9.
- E. x = 53 , y = 97
- F. Compilation fails because of an error at line 10.

**Correct Answer:** B

#### QUESTION 10

You have developed a MIDlet that runs on a Java-enabled Personal Digital Assistant (PDA) device. Now, your employer has asked you to port the MIDlet to run on other Java platforms. Which is true?

- A. The MIDlet is 100% portable across all J2ME devices.
- B. The MIDlet can run within a standard web browser.
- C. The MIDlet is guaranteed to run correctly under J2SE.
- D. The MIDlet is NOT guaranteed to run on a Java technology-enabled phone.

**Correct Answer:** D

#### QUESTION 11

Which statement is true?

- A. JMS enables an application to provide flexible, asynchronous data exchange.
- B. JMS provides interfaces to naming and directory services.
- C. The JMS API is located in the java.jms package.
- D. JMS enables an application to provide tightly coupled, distributed communication.

**Correct Answer:** A

#### QUESTION 12

Which two are true about stateless session beans? (Choose two.)

- A. They are used to represent data stored in an RDBMS.
- B. They implement the JMS API.
- C. They are used to implement business logic.
- D. They CANNOT hold client state.

**Correct Answer:** CD

**QUESTION 13**

Which two are true about javax.swing? (Choose two.)

- A. It includes classes for creating buttons and panels.
- B. It is used to create MIDlets.
- C. It is used to create applications that have the same user interface on different platforms.
- D. It uses the native GUI components of each platform.

**Correct Answer:** AC

**QUESTION 14**

Which two are true? (Choose two.)

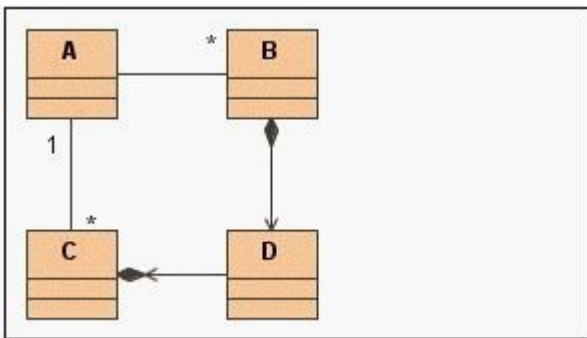
- A. An interface CANNOT be extended by another interface.
- B. An abstract class CANNOT be extended by an abstract class.
- C. An interface can be extended by an abstract class.
- D. An abstract class can implement an interface.
- E. An abstract class can be extended by a concrete class.
- F. An abstract class can be extended by an interface.

**Correct Answer:** DE

**QUESTION 15**

Click the Exhibit button.

Which relationships, referenced by the class names involved, are drawn using valid UML notation?



- A. AB, AC, BD, and CD
- B. only AC, BD, and CD
- C. only AB, AC, and BD
- D. only AB and AC
- E. only BD and CD

**Correct Answer:** A

**QUESTION 16**

Given:

12. String s = "abcdefgabc";

```
13. char c = s.charAt(2);
14.
15. if (c == 'c')
16. s = s.replace('c', 'X');
17. else if (c == 'b')
18. s = s.replace('b', 'O');
19. else
20. s = s.replace('c', 'O');
21. System.out.println(s);
What is the result?
```

- A. aOcdefgabc
- B. Compilation fails.
- C. abOdefgabc
- D. abXdefgabc
- E. abOdefgabO
- F. aOcdefgaOc
- G. abXdefgabX

**Correct Answer:** G

#### QUESTION 17

Which package contains classes used to create data collections, such as maps or queues?

- A. java.lang
- B. java.io
- C. java.awt
- D. java.net
- E. javax.swing
- F. java.util

**Correct Answer:** F

#### QUESTION 18

Given:

```
1. interface A { }
2. interface B { void b(); }
3. interface C { public void c(); }
4. abstract class D implements A,B,C { }
5. class E extends D {
6. void b() { }
7. public void c() { }
8. }
```

Which is true?

- A. Compilation fails due to an error in line 6.
- B. The code compiles without error.
- C. Compilation fails due to an error in line 2.
- D. Compilation fails due to an error in line 4.
- E. Compilation fails due to an error in line 1.

**Correct Answer:** A

#### QUESTION 19

What type of relationship is needed to represent the relationship between students and the courses they are enrolled in at a university?

- A. a one-to-one composition

- B. a one-to-one association
- C. a many-to-many composition
- D. a one-to-many composition
- E. a one-to-many association
- F. a many-to-many association

**Correct Answer:** F

**QUESTION 20**

Which two are features of JNDI? (Choose two.)

- A. an interface to store and retrieve named Java objects of any type
- B. an interface to search for objects using attributes
- C. a defined common set of messaging concepts and programming strategies
- D. connectivity to databases and other tabular data sources

**Correct Answer:** AB

**QUESTION 21**

You need to create a class that maintains a customer's account balance. The class must allow both credits (deposits) and debits (withdrawals) to the account.

Which class correctly implements this functionality?

- A. `public class Account {double balance;public void debit(double amount) {amount = balance - amount;} public void credit(double amount) {amount = balance + amount;}}`
- B. `public class Account {double balance;public void debit(double amount) {balance = balance - amount;} public void credit(double amount) {balance = balance + amount;}}`
- C. `public class Account {double balance;balance = balance - amount;}public void credit(double amount) {double balance;balance = balance + amount;}}`
- D. `public class Account {public void debit(double amount) {double balance;balance = balance - amount;} public void credit(double amount) {double balance;balance = balance + amount;}}`
- E. `public class Account {double balance;public void debit() {double debit;balance = balance - debit;}public void credit() {double creditbalance = balance + credit;}}`

**Correct Answer:** B

**QUESTION 22**

Which two are associated with the web tier in a multitier web-based application? (Choose two.)

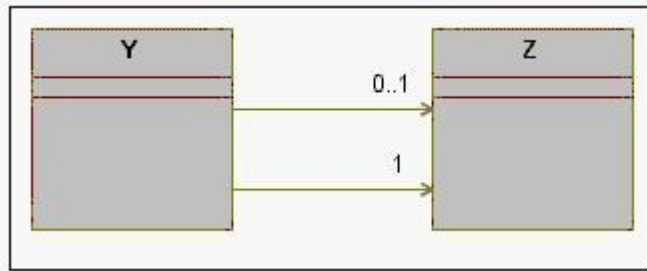
- A. generate dynamic content
- B. implement business logic
- C. process user input
- D. integrate with database systems
- E. store state persistently

**Correct Answer:** AC

**QUESTION 23**

Click the Exhibit button.

Which correctly implements the relationships shown in the diagram?



- A. `public class Y {private Z[] z1and2;public Y(Z[] z1and2) {if (z1and2 == null || z1and2.length != 2) {System.exit(1); // ERROR!}this.z1and2 = z1and2;}}`
- B. `public class Z {private Y[] y1and2;public Z(Y[] y1and2) {if (y1and2 == null || y1and2.length != 2) {System.exit(1); // ERROR!}this.y1and2 = y1and2;}}`
- C. `public class Z {private Y y1;private Y y2;public Z(Y y1) {if (y1 == null) System.exit(1); // ERROR!this.y1 = y1;}public Z(Y y1, Y y2) {this(y1);this.y2 = y2;}}`
- D. `public class Y {private Z z1;private Z z2;public Y(Z z1) {if (z1 == null) System.exit(1); // ERROR! this.z1 = z1;}public Y(Z z1, Z z2) {this(z1);this.z2 = z2;}}`

**Correct Answer:** D

#### QUESTION 24

Which is a benefit of Swing clients?

- A. They can be used without a JRE on the client.
- B. They are more universally supported by browsers than thin clients.
- C. They can provide a richer graphical user interface experience than thin clients.
- D. They are easier to deploy than thin clients.

**Correct Answer:** C

#### QUESTION 25

Given:

```

1. class Test {
2. public static void main(String args[]) {
3. int num;
4. num = 10;
5. calc(num);
6. System.out.println("num = " + num);
7. }
8.
9. static void calc(int num) { 1
0. num += 100; 11. } 12. }
  
```

What is the result?

- A. num = 10
- B. num = 100
- C. Compilation fails because of an error at line 3.
- D. num = 110
- E. Compilation fails because of an error at line 9.

**Correct Answer:** A

#### QUESTION 26

Given:

```

1. abstract class A {}
2. class B {}
3. interface C {}
4. interface D {}
  
```



5. // insert code here

Which, inserted at line 5, results in a compilation failure?

- A. class E implements C {}
- B. class E extends B implements D {}
- C. class E extends A {}
- D. interface E extends C, D {}
- E. class E extends A, B {}
- F. class E implements C, D {}

**Correct Answer:** E

#### QUESTION 27

Why should package names in Java be unique?

- A. to provide the Internet location from which the package can be downloaded
- B. to programatically declare specific ownership of classes in the package
- C. to avoid class name conflicts if two development groups use the same package and class names
- D. to allow classes in the package to be accessed by classes outside of that package

**Correct Answer:** C

#### QUESTION 28

Given:

```
18. String s = " abcdcba ";
19. int x = 2;
20. s = s.trim();
21. if (s.length() < 8) {
22. x = s.indexOf('c', 3);
23. }
24. System.out.println("x = " + x);
```

What is the result?

- A. x = 5
- B. x = 3
- C. x = 6
- D. x = 4
- E. x = 2

**Correct Answer:** D

#### QUESTION 29

Given:

```
3. int calc() {
4. long x = 40L;
5. int i = 30;
6. i = x;
7. System.out.println("result is: " + i);
8. }
```

What is the result of calling calc()?

- A. Compilation fails because of an error at line 6.
- B. Compilation fails because of an error at line 4.
- C. result is: 40

D. result is: 30

**Correct Answer:** A

**QUESTION 30**

Which is an appropriate description of session beans?

- A. They are used to store persistent data.
- B. They are used to implement business processes.
- C. They are used to represent data in an RDBMS.
- D. They are used to share data among clients.

**Correct Answer:** B

**QUESTION 31**

Which is NOT associated with the web tier in a J2EE web-based application?

- A. JavaMail
- B. HTML
- C. message-driven beans
- D. JNDI
- E. JavaBeans

**Correct Answer:** C

**QUESTION 32**

Which two are valid? (Choose two.)

- A. 

```
class EnumTest {public static void main(String args[]) {enum Num { ONE, TWO, THREE, FOUR }
System.out.println(Num.ONE);}
```
- B. 

```
class EnumTest {enum Days { Sat, Sun, Mon, Tue, Wed, Thu, Fri }public static void main(String args[])
{System.out.println(Days.Sat);}
```
- C. 

```
class EnumTest {enum Colors { Red = 1, Green = 2, Blue = 4, Yellow = 8 }public static void main(String
args[]) {System.out.println(Colors.Red);}
```
- D. 

```
enum Suit { CLUBS, DIAMONDS, HEARTS, SPADES }class EnumTest {public static void main(String
args[]) {System.out.println(Suit.CLUBS);}
```

**Correct Answer:** BD

**QUESTION 33**

Which two are represented in a UML class diagram? (Choose two.)

- A. relationships between classes and interfaces
- B. ways to test an application
- C. the interactions between objects in sequential order
- D. operations of classes and interfaces

**Correct Answer:** AD

**QUESTION 34**

Given:

- 4. `int n1 = 22, n2 = 67, n3 = 0, n4 = 47, n5 = 17, n6 = 50;`
- 5. `boolean b = true;`

Which three evaluate to true? (Choose three.)

- A. `!(n1 < n3) && (n5 != n4)`
- B. `(n3 < n5) || (n2 <= n1)`

- C.  $(n2 > n6) \parallel b$
- D.  $(!b) \&\& (n1 \leq n4)$
- E.  $(n2 < n6) \&\& (n4 \geq n1)$

**Correct Answer:** ABC

**QUESTION 35**

Which option will correctly initialize the property `com.example.property` to `someValue` when invoking `java`?

- A. `com.example.property=someValue`
- B. `-Pproperty:someValue`
- C. `-P com.example.property someValue`
- D. `-Pcom.example.property:someValue`
- E. `-Dcom.example.property=someValue`

**Correct Answer:** E

**QUESTION 36**

Which is an advantage of applets over HTML/JavaScript clients?

- A. Applets are more widely supported by browsers.
- B. Applets are downloaded more quickly to the client.
- C. Applets can use a wider variety of UI components.
- D. In their default state, applets have access to the client's computer.

**Correct Answer:** C

**QUESTION 37**

Which two keywords directly support looping? (Choose two.)

- A. `foreach`
- B. `switch`
- C. `while`
- D. `if`
- E. `for`

**Correct Answer:** CE

**QUESTION 38**

Why should package names in Java be unique?

- A. to programatically declare specific ownership of classes in the package
- B. to allow classes in the package to be accessed by classes outside of that package
- C. to provide the Internet location from which the package can be downloaded
- D. to avoid class name conflicts if two development groups use the same package and class names

**Correct Answer:** D

**QUESTION 39**

Which two are associated with the business tier in a J2EE web-based application? (Choose two.)

- A. stateless session beans
- B. servlets
- C. JSP
- D. HTML
- E. entity beans

**Correct Answer:** AE

**QUESTION 40**

Which two are true about HTML? (Choose two.)

- A. It is used by the browser to display the client user interface.
- B. It contains APIs that are used to access data in an RDBMS.
- C. It is an object-oriented programming language.
- D. It can be generated dynamically by servlets.

**Correct Answer:** AD

**QUESTION 41**

Which three classes are part of the java.io package? (Choose three.)

- A. File
- B. Socket
- C. URL
- D. Reader
- E. String
- F. BufferedWriter

**Correct Answer:** ADF

**QUESTION 42**

Which two are advantages of using J2EE server-side technologies in a web-based application? (Choose two.)

- A. complexity
- B. network latency
- C. monolithic design
- D. scalability
- E. separation of concerns

**Correct Answer:** DE

**QUESTION 43**

Which two technologies are primarily focused on developing Web Services? (Choose two.)

- A. UDDI
- B. JSP
- C. RDBMS
- D. WSDL
- E. JDBC

**Correct Answer:** AD

**QUESTION 44**

Given:

1. public class Boat{
2. // insert code here
3. public void setGas(int v){
4. gas = v;
5. }
6. }

Which, inserted at line 2, is valid and demonstrates encapsulation?

- A. protected int gas;
- B. private int gas;
- C. public int gas;
- D. struct int gas;

**Correct Answer:** B

**QUESTION 45**

Which two describe benefits of encapsulation? (Choose two.)

- A. Code is more useful because attributes of the class can be accessed by other classes for both reading and writing.
- B. Code is more efficient because attributes of the class can be accessed directly by other classes, without the overhead of going through access methods.
- C. Code is more reusable because the attributes of the class are protected from direct modification by other code.
- D. Code is more flexible because the attributes can be modified directly from code in other packages.
- E. Code is safer because attributes of the class CANNOT be directly modified by code outside the class.

**Correct Answer:** CE

**QUESTION 46**

Which two are true about J2ME? (Choose two.)

- A. It provides a built-in database.
- B. It is the foundation platform for J2SE.
- C. It can be used to create applications that run on mobile phones.
- D. It can be used to create Swing applications.

**Correct Answer:** AC

**QUESTION 47**

Which package contains the classes used to create a socket?

- A. javax.swing
- B. java.io
- C. java.util
- D. java.net
- E. java.awt
- F. java.lang

**Correct Answer:** D

**QUESTION 48**

Given:

- 3. int num = 0, count;
- 4. while ( num < 3 ) {
- 5. num++;
- 6. // insert code here
- 7. System.out.println("num = " + num + " : count = " + count);
- 8. }
- 9. }

Which, inserted at line 6, produces the following output?

- num = 1 : count = 1
- num = 1 : count = 2
- num = 2 : count = 1

num = 2 : count = 2  
num = 3 : count = 1  
num = 3 : count = 2

- A. while ( ++count < 3 ) {
- B. for ( count = 1 ; count < 3 ; count++ ) {
- C. for ( count = 0 ; count < 3 ; count++ ) {
- D. while ( ++count < 2 ) {
- E. for ( count = 1 ; count < 2 ; count++ ) {

**Correct Answer:** B

**QUESTION 49**

Given:

```
1. class Test2 {  
2. static String setMessage(String str) {  
3. return str + "How are you doing?";  
4. }  
5.  
6. public static void main(String[] args) {  
7. String str = "Hello! ";  
8. str = setMessage(str);  
9. System.out.println("str : " + str);  
10. }  
11. }
```

What is the result?

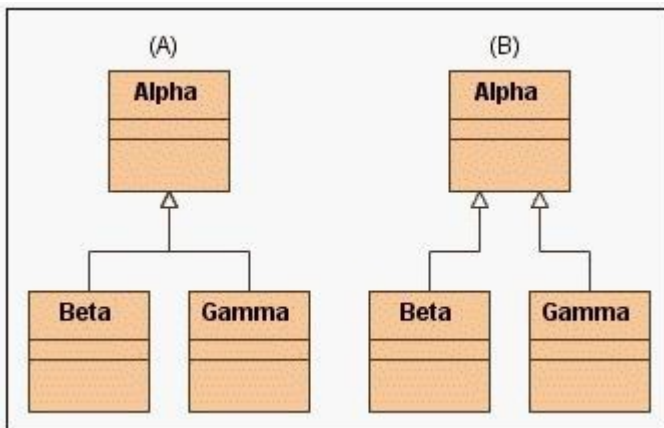
- A. str : Hello! How are you doing?
- B. Compilation fails because of an error at line 7.
- C. Compilation fails because of an error at line 8.
- D. Compilation fails because of an error at line 2.
- E. Compilation fails because of an error at line 3.
- F. str : Hello!
- G. str : How are you doing?

**Correct Answer:** A

**QUESTION 50**

Click the Exhibit button.

Which is true?



- A. Diagrams A and B are both valid, but have different meanings.
- B. Both diagrams are invalid.
- C. Diagrams A and B are equivalent.
- D. Only diagram A is valid.
- E. Only diagram B is valid.

**Correct Answer: C**

**QUESTION 51**

Which three are responsibilities of the business tier in a multitier web-based application with web, business, and EIS tiers? (Choose three.)

- A. to integrate with legacy applications
- B. to provide business logic
- C. to generate dynamic content
- D. to participate in transactions
- E. to process requests from web-based clients

**Correct Answer: ABD**

**QUESTION 52**

Given:

```

1. // insert code here
2. void play();
3. void stop();
4. }
5. // insert code here
6. public void play() { }
7. public void stop() { }
8. }

```

Which, inserted at lines 1 and 5, allows the code to compile?

- A. 1. interface Player {5. class DVDPlayer implements Player {
- B. 1. implements Player {5. class DVDPlayer interface Player {
- C. 1. abstract class Player {5. class DVDPlayer extends Player {
- D. 1. interface Player {5. class DVDPlayer extends Player {
- E. 1. class Player {5. interface DVDPlayer implements Player {

**Correct Answer: A**

**QUESTION 53**

Which type of primitive can be assigned a new value within a conditional expression?

- A. char
- B. boolean
- C. byte
- D. int
- E. short

**Correct Answer: B**

**QUESTION 54**

Given:

```

1. class Test {
2. public static void main(String args[]) {
3. String str = new String("Welcome");
4. // insert code here

```

5. }  
6. }

Which, inserted at line 4, produces the output true?

- A. `System.out.println(str.trim());`
- B. `System.out.println(str.startsWith("W"));`
- C. `System.out.println(str.indexOf("W"));`
- D. `System.out.println(str.startsWith('W'));`
- E. `System.out.println(str.indexOf(1));`

**Correct Answer:** B

#### QUESTION 55

Which is NOT a correct statement about entity beans?

- A. They are persisted using BMP and CMP.
- B. They are used to share data among clients.
- C. They are used to store persistent data.
- D. They are used to implement business processes.
- E. They are used to represent data stored in an RDBMS.

**Correct Answer:** D

#### QUESTION 56

Which is valid?

- A. `package com.example;class Test { }import java.util.*;`
- B. `package com.example;import java.util;import java.*;class Test { }`
- C. `package com.example;import java.util.*;import java.io.*;class Test { }`
- D. `import java.util.*;package com.example;class Test { }`
- E. `package com.example;package com.sun;import java.util.*;class Test { }`

**Correct Answer:** C

#### QUESTION 57

Which two are true? (Choose two.)

- A. HTML can be used only for displaying images.
- B. XML is an extension of HTML.
- C. HTML is an acronym for HyperText Markup Language.
- D. HTML is the language used to publish web pages on the World Wide Web.

**Correct Answer:** CD

#### QUESTION 58

What is the definition of the acronym SQL?

- A. Special Queue Language
- B. Structured Query Language
- C. Special Query Language
- D. Structured Queue Language
- E. System Query Language
- F. System Queue Language

**Correct Answer:** B



**QUESTION 59**

Which is true?

- A. The JDBC API is included in J2SE.
- B. JDBC is used to connect to MOM (Message-Oriented Middleware) products.
- C. All JDBC drivers are pure Java.
- D. The JDBC API is an extension of the ODBC API.

**Correct Answer:** A

**QUESTION 60**

Given that TestClass relies on classes in the someJar.jar file in /some/dir, which javac invocation will correctly compile TestClass in the current directory?

- A. javac -classpath /some/dir/someJar.jar ./TestClass
- B. javac -classpath /some/dir/someJar.jar ./TestClass.java
- C. javac -classpath /some/dir/\*.jar \*.java
- D. javac ./\*.java
- E. javac -classpath someJar.jar -sourcepath . TestClass.java

**Correct Answer:** B

**QUESTION 61**

Given:

```
interface Writable { }
interface Erasable { }
```

Which three are valid? (Choose three.)

- A. public class Pencil implements Erasable,Writable { /\*...\*/ }
- B. public interface Pencil extends Writable { /\*...\*/ }
- C. public interface Pencil implements Writable { /\*...\*/ }
- D. public class Pencil implements Writable { /\*...\*/ }
- E. public class Pencil extends Writable { /\*...\*/ }

**Correct Answer:** ABD

**QUESTION 62**

A Java programmer wants to develop a small application to run on mobile phones. Which Java edition (or editions) are required to develop the application?

- A. only J2ME
- B. J2SE and J2EE
- C. only J2EE
- D. J2SE and J2ME
- E. only J2SE
- F. J2EE and J2ME

**Correct Answer:** D

**QUESTION 63**

Which Java technology provides a standard API for relational database access?

- A. JDC
- B. JMS
- C. JSP

- D. JNDI
- E. JDBC

**Correct Answer:** E

**QUESTION 64**

Which is true?

- A. You must use JDBC to connect an RDBMS to a Java application.
- B. JDBC is designed to provide a bridge between servlets and EJB technology.
- C. Classes in the JDBC API include implementations of JDBC drivers.
- D. The JDBC API is located within the java.sql and javax.sql packages.

**Correct Answer:** D

**QUESTION 65**

Which package contains classes to read from, and write to, files?

- A. java.net
- B. javax.swing
- C. javax.file
- D. java.util
- E. java.io
- F. java.lang
- G. java.stream

**Correct Answer:** E

**QUESTION 66**

Which two are characteristics of applets? (Choose two.)

- A. Because it executes on the web server, the client does NOT incur the processing overhead.
- B. Applet security is provided by Java's sandbox security model.
- C. Applets can be developed quickly using HTML/JavaScript tags.
- D. Because code is downloaded at the time of execution, applets are easy to distribute.

**Correct Answer:** BD

**QUESTION 67**

Which two are benefits of servlets? (Choose two.)

- A. They allow you to embed Java code in HTML files.
- B. They represent data in a persistent store.
- C. They can produce dynamic content in response to web client requests.
- D. Their lifecycles are managed by the container.

**Correct Answer:** CD

**QUESTION 68**

Which four are legal declarations? (Choose four.)

- A. String st = null;
- B. String st = "Hello";
- C. String st == 'Hello';
- D. String st = 'Hello';
- E. String st == "Hello";

- F. `String[] st = new String[1];`
- G. `String st = new String("Hello");`

**Correct Answer:** ABFG

**QUESTION 69**

Given:

```
1. class Test {  
2. public static void main(String args[]) {  
3. int i = 1;  
4. while (i-- > 1) {  
5. System.out.println("i : " + i);  
6. }  
7. }  
8. }
```

What is the result?

- A. `i : 1`
- B. `i : -1`
- C. `i : 0`
- D. No output is produced.
- E. Compilation fails.

**Correct Answer:** D

**QUESTION 70**

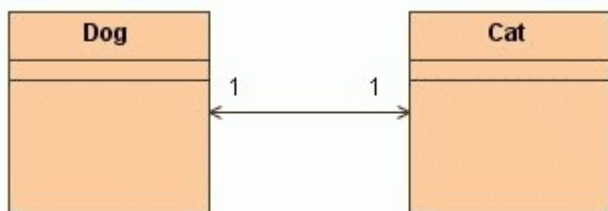
What keyword is used to create an enumeration?

- A. `ENUM`
- B. `const`
- C. `enumeration`
- D. There is no keyword for creating enumerations. The `Enum` class must be used instead.
- E. `enum`

**Correct Answer:** E

**QUESTION 71**

Click the Exhibit button. Which correctly implements the relationship shown in the diagram?



- A. `class Cat {Dog d;}class Dog { }`
- B. `class Cat { }class Dog {Cat c;}`
- C. `class Cat { }class Dog { }`
- D. `class Cat {Dog d;}class Dog {Cat c;}`

**Correct Answer:** D

**QUESTION 72**

Which Java technology provides a unified interface to multiple naming and directory services?

- A. JNI
- B. EJB
- C. JDBC
- D. JNDI
- E. JavaMail

**Correct Answer:** D

### QUESTION 73

Given:

```
1. class Book {
2. public String title;
3.
4. public void setTitle(String title) {
5. if (checkTitle(title)) this.title = title;
6. }
7. public String getTitle() {
8. return title;
9. }
10. private boolean checkTitle(String newTitle) {
11. // code that verifies proposed title change
12. }
13. }
```

Which two are true? (Choose two.)

- A. The title attribute is protected from direct modification by outside code.
- B. The Book class demonstrates encapsulation.
- C. The Book class does NOT provide information hiding.
- D. The Book class adheres to the JavaBeans naming conventions.
- E. The checkTitle method can be accessed from outside the Book class.

**Correct Answer:** CD

### QUESTION 74

Which is true about MIDlets?

- A. MIDlet devices are not required to allow applications to be uninstalled.
- B. The only API used to create MIDlets is the MIDP API.
- C. Devices that support MIDlets must allow the MIDlets to access the device's low-level functions.
- D. Devices that run MIDlets must provide software that manages wireless downloading of applications.

**Correct Answer:** D

### QUESTION 75

Which two are characteristics of an RDBMS? (Choose two.)

- A. An RDBMS represents data using three-dimensional tables.
- B. J2EE provides a cross-platform RDBMS.
- C. Java technologies provide capabilities for connecting a legacy RDBMS to a web application.
- D. Business-tier applications use session beans to represent rows in an RDBMS.
- E. An RDBMS represents data using two-dimensional tables.

**Correct Answer:** CE

### QUESTION 76

You are asked to create code that defines a Beverage, and includes method implementation code for

some beverage behaviors. Beverage subtypes will be required to provide implementations of some, but not all, of the methods defined in Beverage.  
Which approach correctly implements these goals?

- A. Create an abstract Beverage class that defines only abstract methods.
- B. Create a Beverage interface that all beverage subtypes must implement.
- C. Create an abstract Beverage class that defines both abstract and concrete methods.
- D. Create a concrete Beverage class that defines both abstract and concrete methods.

**Correct Answer:** C

**QUESTION 77**

Which two are NOT Enterprise Beans? (Choose two.)

- A. JavaBeans
- B. message-driven beans
- C. session beans
- D. entity beans
- E. business beans

**Correct Answer:** AE

**QUESTION 78**

Which two are true? (Choose two.)

- A. An interface can implement another interface.
- B. A class can implement more than one interface.
- C. Many classes can implement the same interface.
- D. Every class must implement at least one interface.

**Correct Answer:** BC

**QUESTION 79**

Which two are associated with the business tier in a J2EE web-based application? (Choose two.)

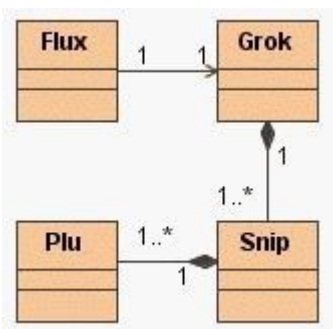
- A. Swing applications
- B. JMS
- C. JDBC
- D. applets
- E. servlets

**Correct Answer:** BC

**QUESTION 80**

Click the Exhibit button.

Which two are true? (Choose two.)



- A. A Flux knows with which Grok it is associated.
- B. A Grok knows with which Flux it is associated.
- C. Deleting a Grok will cause a Plu to be deleted.
- D. Deleting a Plu will cause a Grok to be deleted.
- E. Deleting a Snip will cause its associated Grok to be deleted.
- F. Any Grok associated with a Flux must be deleted when the Flux is deleted.

**Correct Answer:** AC

**QUESTION 81**

Which Java technology provides a standard API for a publish-subscribe messaging model?

- A. JAX-RPC
- B. UDDI
- C. JNDI
- D. JMS
- E. JSP

**Correct Answer:** D

**QUESTION 82**

A Java programmer wants to develop a small application to run on mobile phones. Which Java edition (or editions) are required to develop the application?

- A. only J2ME
- B. J2EE and J2ME
- C. J2SE and J2ME
- D. only J2EE
- E. J2SE and J2EE
- F. only J2SE

**Correct Answer:** C

**QUESTION 83**

Which environment has the highest probability of properly supporting an applet?

- A. mobile environments using telephone handsets
- B. Internet environment where client components are not standardized
- C. J2EE server environment
- D. intranet environment where client components are standardized

**Correct Answer:** D

**QUESTION 84**

Which is an appropriate description of session beans?

- A. They are used to share data among clients.
- B. They are used to implement business processes.
- C. They are used to store persistent data.
- D. They are used to represent data in an RDBMS.

**Correct Answer:** B

**QUESTION 85**

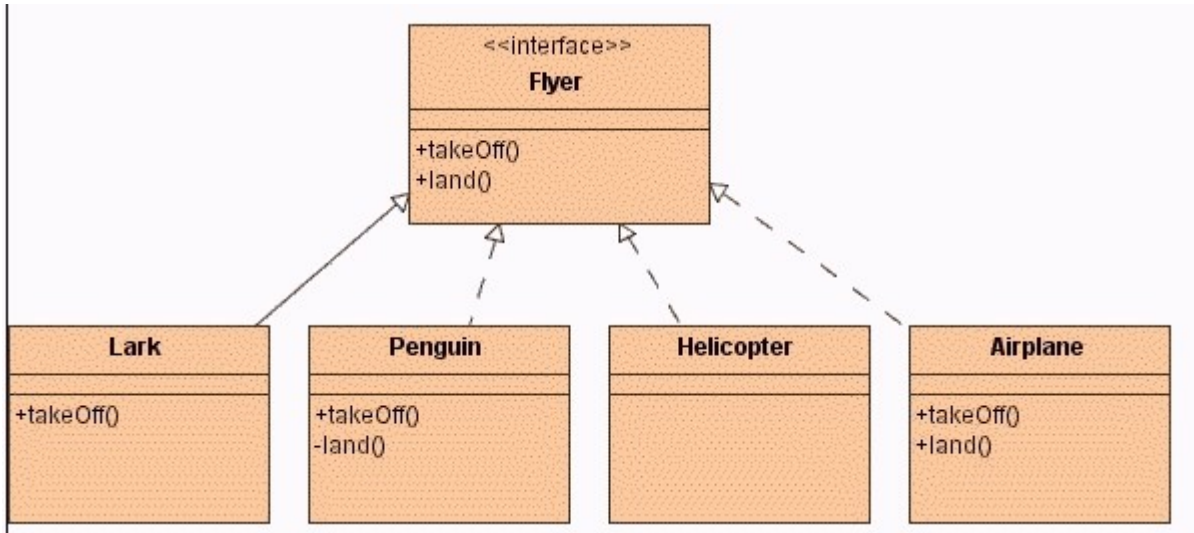
Which is NOT a characteristic of Swing?

- A. Swing components can display a platform-independent "look and feel."
- B. Swing components are available in all web browsers.
- C. Swing components can be used to develop J2EE client applications.
- D. Swing components can display a platform-specific "look and feel."

**Correct Answer: B**

**QUESTION 86**

Click the Exhibit button. Which class correctly implements the interface Flyer?



- A. Penguin
- B. Helicopter
- C. Airplane
- D. Lark

**Correct Answer: C**

**QUESTION 87**

A business-tier service is being developed that will provide credit card validation. The service is not associated with a specific client, but is available to all clients. The service also has to be as efficient as possible. Which J2EE component matches these needs?

- A. entity bean
- B. stateful session bean
- C. stateless session bean
- D. servlet
- E. JNDI

**Correct Answer: C**

**QUESTION 88**

Given:

1. interface Pet { }
2. class Dog implements Pet { }
3. class Beagle extends Dog { }

Which three are valid? (Choose three.)

- A. Pet a = new Dog();
- B. Dog d = new Beagle();

- C. Dog f = new Pet();
- D. Beagle c = new Dog();
- E. Pet e = new Beagle();
- F. Pet b = new Pet();

**Correct Answer:** ABE

### QUESTION 89

Given:

```
1. class Test {
2. public static void main(String args[]) {
3. int num1 = 10, num2 = 20, result;
4. result = calc(num1, num2);
5. System.out.println(result);
6. }
7.
8. // insert code here
9. }
```

Which, inserted at line 8, produces the output 30?

- A. static int calc(int n1, int n2) { return n1 + n2; }
- B. static void calc(n1, n2) { return (n1 + n2); }
- C. public int calc(int n1, int n2) { return; }
- D. static int calc(int n1, int n2) { return; }
- E. public int calc(int n1, int n2) { return n1 + n2; }
- F. static int calc(int n1, n2) { return n1, n2; }

**Correct Answer:** A

### QUESTION 90

Given:

```
13. class Stone {
14. String color = "white";
15. }
16.
17. public class ManyStones {
18. Stone[] stones = {new Stone(), new Stone(), new Stone()};
19. }
```

Which is true?

- A. Compilation fails.
- B. The class ManyStones has a color attribute.
- C. The class Stone has a relationship to a ManyStones object.
- D. The class ManyStones CANNOT have access to multiple class Stone objects.
- E. The class ManyStones has a relationship to three Stone objects.

**Correct Answer:** E

### QUESTION 91

Click the Exhibit button. Which, inserted at line 3 of the TestDrink class, demonstrates the "program to an interface" principle?

- A. Drinkable aDrink = DrinkableFactory.getDrinkable();
- B. Drinkable aDrink = new Drinkable();
- C. Tea aDrink = new Drinkable();



D. Tea aDrink = new Tea();

**Correct Answer:** A

**QUESTION 92**

Given:

Directory structure:

```
projects
|_ src
|  |_ foo
|
|_ classes
```

A file Clock.java in the /projects/src/foo directory

The working directory /projects/src

The class Clock in package foo

Which command-line compiler invocation will create a foo directory within the classes directory, and then place the compiled Clock.class within that directory?

- A. javac -directory ../classes/foo foo/Clock.java
- B. javac -d ../classes/foo/Clock.java
- C. javac -d ../classes/foo foo.Clock.java
- D. javac -D foo/Clock.java
- E. javac -d ../classes foo/Clock.java

**Correct Answer:** E

**QUESTION 93**

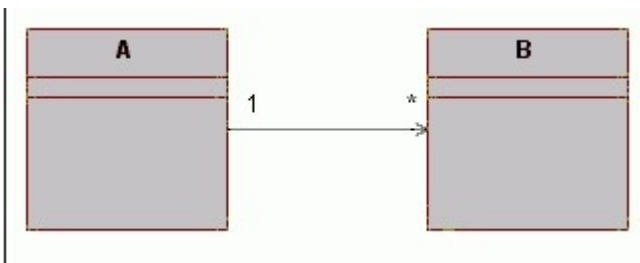
Given concrete class B is a subclass of concrete class A, and class A implements interface C, which two are examples of polymorphism? (Choose two.)

- A. use a reference variable of type C to refer to an instance of type B
- B. use a reference variable of type A to refer to an instance of type C
- C. use a reference variable of type C to refer to an instance of type A
- D. use a reference variable of type A to refer to an instance of type B
- E. use a reference variable of type B to refer to an instance of type A

**Correct Answer:** AC

**QUESTION 94**

Click the Exhibit button. Which code correctly implements the association between A and B?



- A. class A {private B[] b;}class B {private A a;}
- B. class A {private B[] b;}class B { }
- C. class A { }class B {private A[] a;}
- D. class A { }class B {private A a;}
- E. class A {private B b;}class B {private A[] a;}

F. class A {private B b;}class B { }

**Correct Answer:** B

**QUESTION 95**

What is true about JavaScript clients?

- A. They CANNOT write to the client's hard drive.
- B. They must be hosted by J2EE containers.
- C. They require Java Web Start technology to be deployed.
- D. They support all standard J2SE syntax.

**Correct Answer:** A

**QUESTION 96**

Which is a valid definition of an interface called Transportable given another valid interface, Movable?

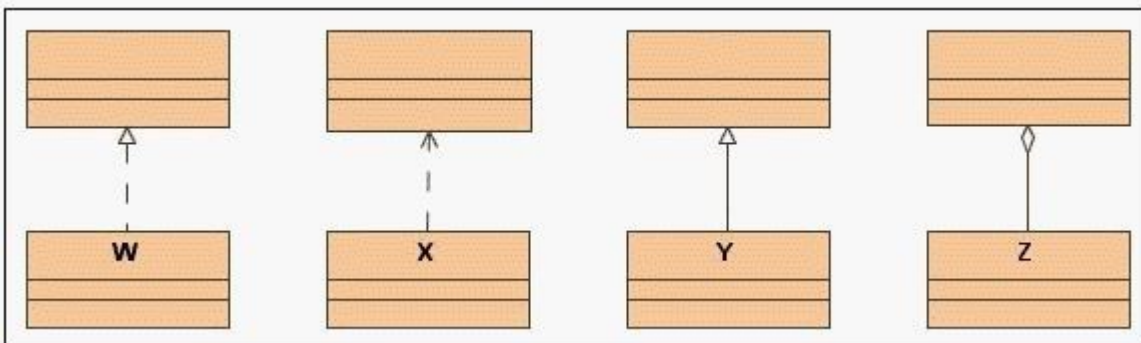
- A. class Movable extends Transportable { /\*...\*/ }
- B. interface Transportable extends Movable { /\*...\*/ }
- C. class Movable implements Transportable { /\*...\*/ }
- D. interface Transportable implements Movable { /\*...\*/ }

**Correct Answer:** B

**QUESTION 97**

Click the Exhibit button.

Which class has a superclass relationship?



- A. Z
- B. Y
- C. X
- D. W

**Correct Answer:** B

**QUESTION 98**

Which two symbols are used to indicate the visibility of an attribute in UML? (Choose two.)

- A. -
- B. +
- C. &
- D. \$
- E. \*

**Correct Answer:** AB

**QUESTION 99**

Which two are valid examples of interface implementation? (Choose two.)

- A. class C implements D { }
- B. class C implements D E { }
- C. class C extends D { }
- D. class C implements D, E { }
- E. class C extends D, E { }
- F. class C extends D, implements E { }

**Correct Answer:** AD

**QUESTION 100**

Given:

```
6. int time = 12;
7. if ( time < 12 ) {
8. System.out.println("Good morning");
9. }
10. // insert code here
11. System.out.println("Good afternoon");
12. }
13. else if ( time >= 18 ) {
14. System.out.println("Good evening");
15. }
```

Which three, inserted independently at line 10, produce the output Good afternoon? (Choose three.)

- A. else if ( time > 12 || time <= 18 ) {
- B. else if ( time > 12 && time >= 18 ) {
- C. if ( time >= 12 && time < 18 ) {
- D. else if ( time >= 12 || time < 18 ) {
- E. else if ( time < 12 || time > 18 ) {

**Correct Answer:** ACD

**QUESTION 101**

Which two are true about the relationship "A keyboard has 101 keys."? (Choose two.)

- A. This is a many-to-many relationship.
- B. This is a composition relationship.
- C. This is a not a composition relationship.
- D. This is a one-to-one relationship.
- E. This is a one-to-many relationship.

**Correct Answer:** BE

**QUESTION 102**

Given:

```
14. class Dog {
15. String name;
16. public static void main(String [] args) {
17. Dog d1 = new Dog();
18. Dog d2 = new Dog();
19. d1.name = "Aiko";
20. d2.name = "Aiko";
21. if (d1 == d2) System.out.print("== ");
22. if (d1.equals(d2)) System.out.println(".dot =");
23. }
```

24. }

What is the result?

- A. == dot =
- B. Compilation fails.
- C. dot =
- D. No output is produced.
- E. ==
- F. The result is unpredictable.

**Correct Answer:** D

### QUESTION 103

You have developed a MIDlet that runs on a Java-enabled Personal Digital Assistant (PDA) device. Now, your employer has asked you to port the MIDlet to run on other Java platforms. Which is true?

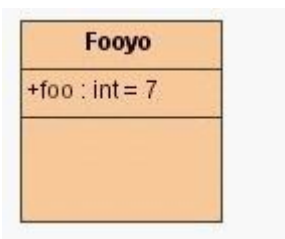
- A. The MIDlet is NOT guaranteed to run on a Java technology-enabled phone.
- B. The MIDlet can run within a standard web browser.
- C. The MIDlet is 100% portable across all J2ME devices.
- D. The MIDlet is guaranteed to run correctly under J2SE.

**Correct Answer:** A

### QUESTION 104

Click the Exhibit button.

Which two are true? (Choose two.)



- A. foo is an operation
- B. foo is an attribute
- C. foo is private
- D. foo is public

**Correct Answer:** BD

### QUESTION 105

Given:

```
17. class B { }
```

Which demonstrates inheritance?

- A. class A extends B { }
- B. class A this B { }
- C. class A super B { }
- D. class A implements B { }

**Correct Answer:** A

### QUESTION 106

Given:

17. class B { }

Which demonstrates inheritance?

- A. class A this B { }
- B. class A extends B { }
- C. class A super B { }
- D. class A implements B { }

**Correct Answer:** B

#### QUESTION 107

Given:

1. abstract class A { }
2. class B { }
3. interface C { }
4. interface D { }
5. // insert code here

Which, inserted at line 5, results in a compilation failure?

- A. class E implements C { }
- B. class E extends A, B { }
- C. class E extends A { }
- D. class E implements C, D { }
- E. interface E extends C, D { }
- F. class E extends B implements D { }

**Correct Answer:** B

#### QUESTION 108

Given:

5. // insert code here
6. public abstract void bark();
7. }
- 8.
9. // insert code here
10. public void bark() {
11. System.out.println("woof");
12. }
13. }

Which, inserted at lines 5 and 9, allows the file to compile?

- A. 5. abstract Dog {9. public class Poodle extends Dog {
- B. 5. class Dog {9. public class Poodle extends Dog {
- C. 5. abstract Dog {9. public class Poodle implements Dog {
- D. 5. abstract class Dog {9. public class Poodle implements Dog {
- E. 5. class Dog {9. public class Poodle implements Dog {
- F. 5. abstract class Dog {9. public class Poodle extends Dog {

**Correct Answer:** F

#### QUESTION 109

Click the Task button.

Which is true?

To Read the [Whole Q&As](#), please purchase the [Complete Version](#) from [Our website](#).

# Trying our product !

- ★ **100%** Guaranteed Success
- ★ **100%** Money Back Guarantee
- ★ **365 Days** Free Update
- ★ **Instant Download** After Purchase
- ★ **24x7** Customer Support
- ★ Average **99.9%** Success Rate
- ★ More than **69,000** Satisfied Customers Worldwide
- ★ Multi-Platform capabilities - **Windows, Mac, Android, iPhone, iPod, iPad, Kindle**

## Need Help

Please provide as much detail as possible so we can best assist you.

To update a previously submitted ticket:



 <b>One Year Free Update</b> <p>Free update is available within One Year after your purchase. After One Year, you will get 50% discounts for updating. And we are proud to boast a 24/7 efficient Customer Support system via Email.</p>	 <b>Money Back Guarantee</b> <p>To ensure that you are spending on quality products, we provide 100% money back guarantee for 30 days from the date of purchase.</p>	 <b>Security &amp; Privacy</b> <p>We respect customer privacy. We use McAfee's security service to provide you with utmost security for your personal information &amp; peace of mind.</p>
---	---	--

## [Guarantee & Policy](#) | [Privacy & Policy](#) | [Terms & Conditions](#)

Any charges made through this site will appear as Global Simulators Limited.

All trademarks are the property of their respective owners.

Copyright © 2004-2015, All Rights Reserved.